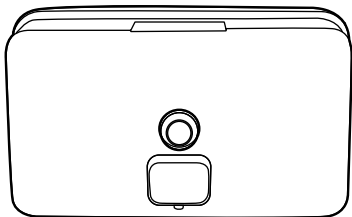
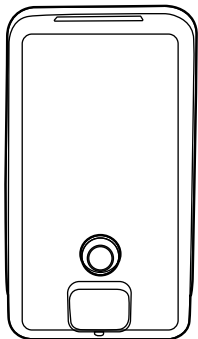




STAINLESS STEEL
**SOAP
DISPENSER**



ALP423-SERIES
ALP424-SERIES

USER GUIDE



THANK YOU FOR YOUR PURCHASE

Known in the industry for excellent products, Alpine Industries is a manufacturer of innovative, solution-based products for the commercial and institutional markets worldwide.

Combining commitment to the customer, design innovation and skilled, dedicated workforces, they have produced a range of products that are an essential part of every commercial facility.

Every product is designed to the highest standards, enabling you to get your requirements done in a reliable and cost-effective way.

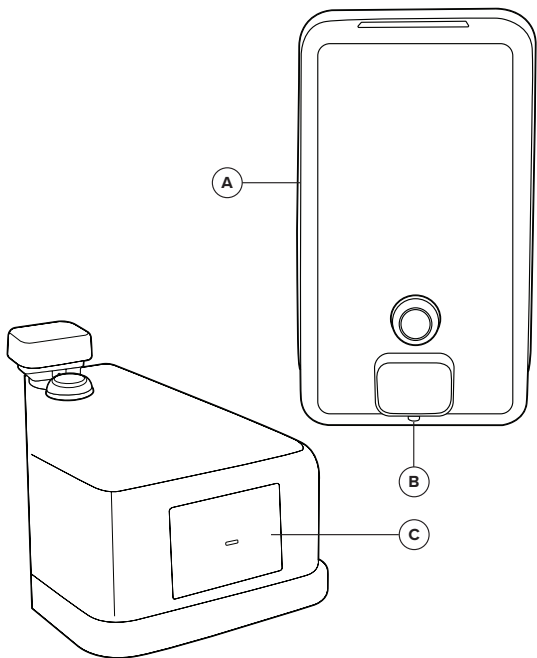


Table of Contents

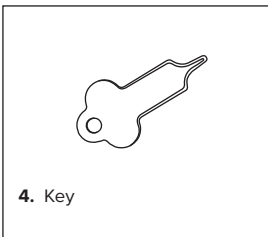
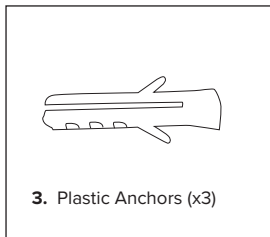
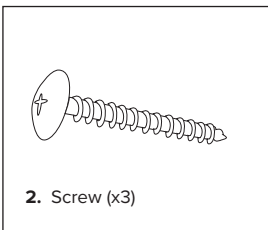
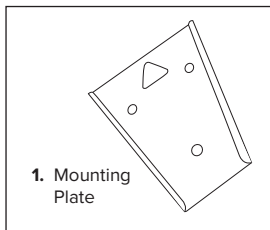
- 1** Parts and Hardware
- 3** Installation Maintenance
- 6** Instructions
- 7** Notes
- 8** Limited Warranty

Parts and Hardware

- A. Dispenser
- B. Spout
- C. Filler Door



Parts and Hardware



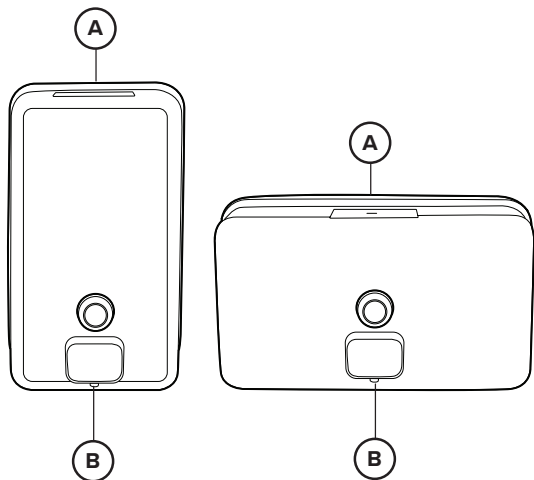
Tools Required (But Not Included):

- Screwdriver
- Pencil
- Drill
- Drill Bit

Installation

STEP 1:

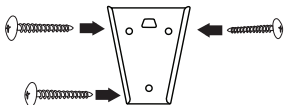
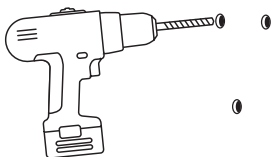
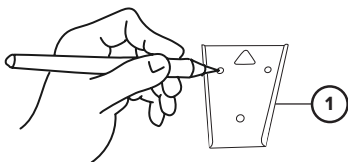
- A. Locate the Dispenser (A) and ensure the Spout (B) is over the vanity:
- B. Position the Dispenser (A) where you want to mount it.
- C. Allow a minimum of 5" clearance between the top of the Dispenser (A) and the bottom of your projected site. This allows you enough space to fill the Dispenser (A).



Installation

STEP 2:

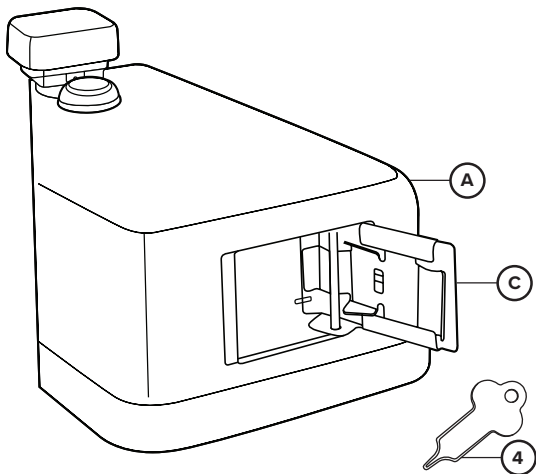
- A. Place the Mounting Plate (1) against the wall and mark the holes with a pencil where the Screws (2) will go.
- B. Drill three holes and place the three Plastic Anchors (3) in them.
- C. Mount the Mounting Plate (1) in a vertical position, with the wide part of the "V" shape at the top.
- D. The surface on which the unit is to be mounted determines the type of screws required for optimal installation.
- E. For plaster or hollow walls, use toggle bolts or expansion bolts.
- F. For tile and marble wall, use fiber plugs.
- G. Screw the three Screws (2) through the Mounting Plate (1) until secure.



Installation

STEP 3:

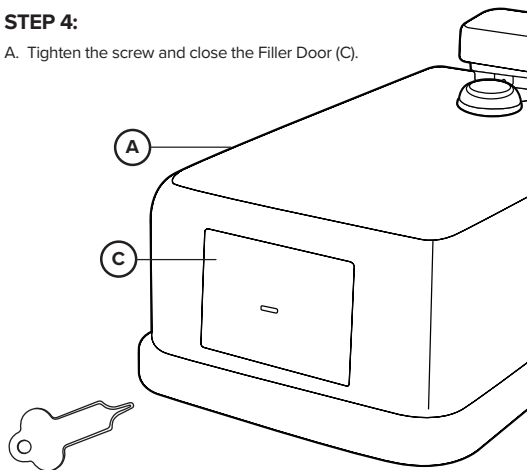
- A. Insert a screwdriver through the Filler Door (C) from the front of the tank.
- B. Loosen the screw inside the tank; do not fully remove.
- C. Slide the Dispenser (A) into the Mounting Plate (1).
- D. Position the Dispenser (A) against the wall, over the Mounting Plate (1) and slide it down.



Installation

STEP 4:

A. Tighten the screw and close the Filler Door (C).



Maintenance Instructions

- To fill the Dispenser (A), open the Filler Door (C), and fill the Dispenser (A) with soap.
- The Dispenser (A) can dispense liquid soaps, lotions and detergents.
- Do not use thick liquid, chloride, or high PH liquid soaps.
- Wipe the outside of the unit daily, including the Spout (B) using a damp cloth.
- Never use abrasive cleaners, only water-soluble cleaners.
- Periodically clean the inside of the Dispenser (A) by flushing it with warm water mixed with soap from the Dispenser (A) through the Filler Door (C) and Spout (B).

Notes

Limited Warranty

1. Alpine Industries (the "Company" or "Tiger Companies") warrants to the purchaser that the product will be free from defects in workmanship and materials for a period of 1 year from the date of purchase. The warranty period is not extended if we repair, replace, exchange, or provide a refund for the product (as determined in our sole discretion). We may change the availability of this limited warranty at our discretion, but any changes will not be retroactive.
2. These warranties are not assignable or transferable to any other person, including, without limitation, any subsequent owner or other transferee of the product.
3. This Warranty does not apply to: (a) damage caused by misuse, tampering, abuse, neglect, or accident; (b) damage caused by improper installation, modification, or service; (c) alteration of the serial number; or (d) use that violates the instructions furnished by the Company will void this warranty.
4. The sole responsibility of the Company shall be limited to (a) the repair or replacement (in its sole discretion) of any component of the product which fails to conform to this; (b) a refund the purchase price of such product (in its sole discretion), at no cost to the purchaser for the period of the warranty; or (c) an exchange for a similar product, comparable in function and price.
5. Contact the Company directly at 1-(800)-805-1790 to obtain service under this warranty. If it becomes applicable to send a defective product to the Company, a Return Authorization Number must first be obtained from the Company. In order to obtain service under this warranty, purchaser may be required to provide the Company with the following items: (a) proof of purchase, (b) photographs and/or videos (of the damage), and (c) a written testimonial describing the defect.
6. Products shipped without prior Return Authorization and Return Authorization Number may not be accepted, and the Company will not be responsible for their disposition and/or cost of return to the owner.
7. The Company will not assume any responsibility for any loss or damage incurred in shipping and/or delivery.
8. The product(s) must be returned within 14 calendar days of receiving the return authorization from the Company and must include the original proof of purchase for the warranty to be honored.
9. Any implied warranties that the purchaser may have are limited to the duration of the warranties described above. There are no further warranties that extend or apply beyond the face hereof, and the Company expressly disclaims and excludes any and all warranties of merchantability or fitness for a particular purpose. Some states do not allow limitations on how long an implied warranty lasts, so the above limitation may not apply to you.
10. THE REMEDIES DESCRIBED ABOVE ARE YOUR SOLE AND EXCLUSIVE REMEDIES AND THE COMPANY'S ENTIRE LIABILITY FOR ANY BREACH OF THIS LIMITED WARRANTY. OUR LIABILITY SHALL UNDER NO CIRCUMSTANCES EXCEED THE ACTUAL AMOUNT PAID BY YOU FOR THE DEFECTIVE PRODUCT, NOR SHALL WE UNDER ANY CIRCUMSTANCES BE LIABLE FOR ANY CONSEQUENTIAL, INCIDENTAL, SPECIAL OR PUNITIVE DAMAGES OR LOSSES, WHETHER DIRECT OR INDIRECT. SOME STATES DO NOT ALLOW THE EXCLUSION OR LIMITATIONS OF INCIDENTAL OR CONSEQUENTIAL DAMAGES, SO THE LIMITATION MAY NOT APPLY TO YOU.
11. This warranty gives you specific legal rights, and you may also have additional rights which vary from state to state.



ALP423-SERIES

ALP424-SERIES

© 2023 Alpine Industries

alpineindustries.com