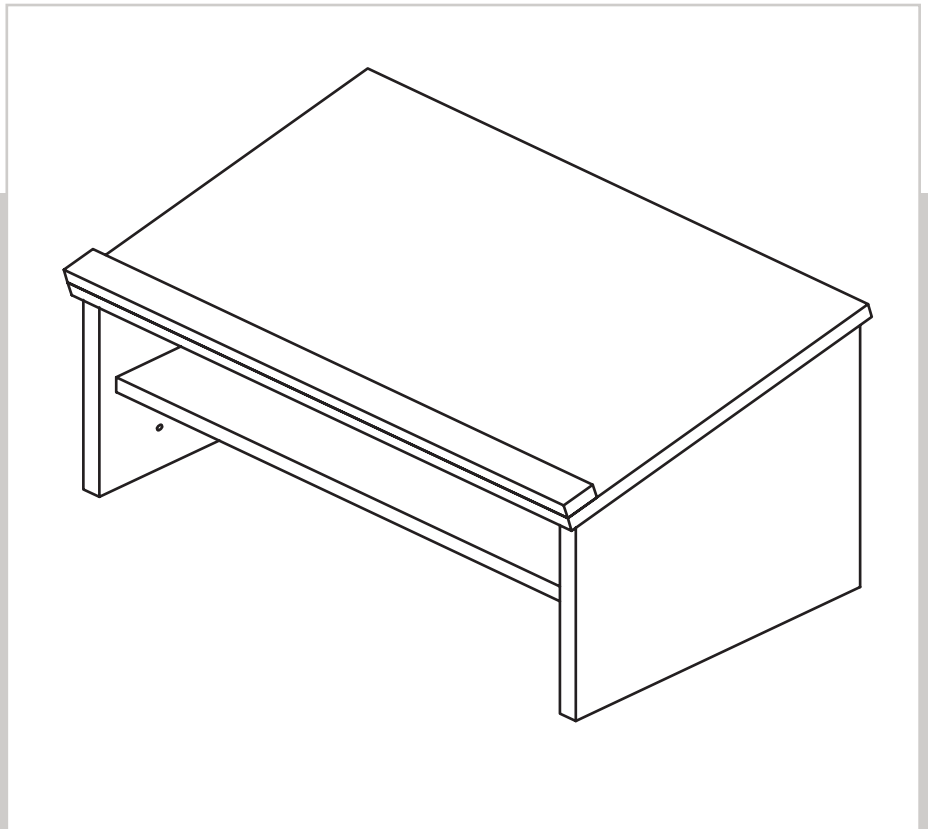


# TABLETOP LECTERN

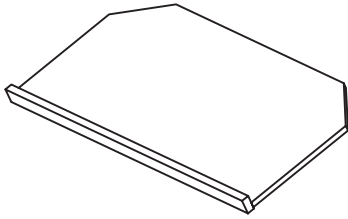
## Assembly Guide



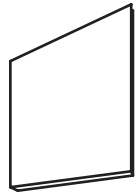
Model # 661-06



# KIT CONTENTS:



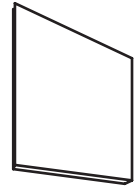
Top Panel (x1)



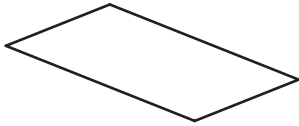
Left Panel (x1)



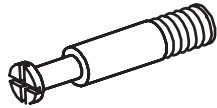
Back Panel (x1)



Right Panel (x1)



Shelf (x1)



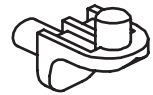
Connector Screw (x8)



Cam Lock (x8)



Dowel (x8)

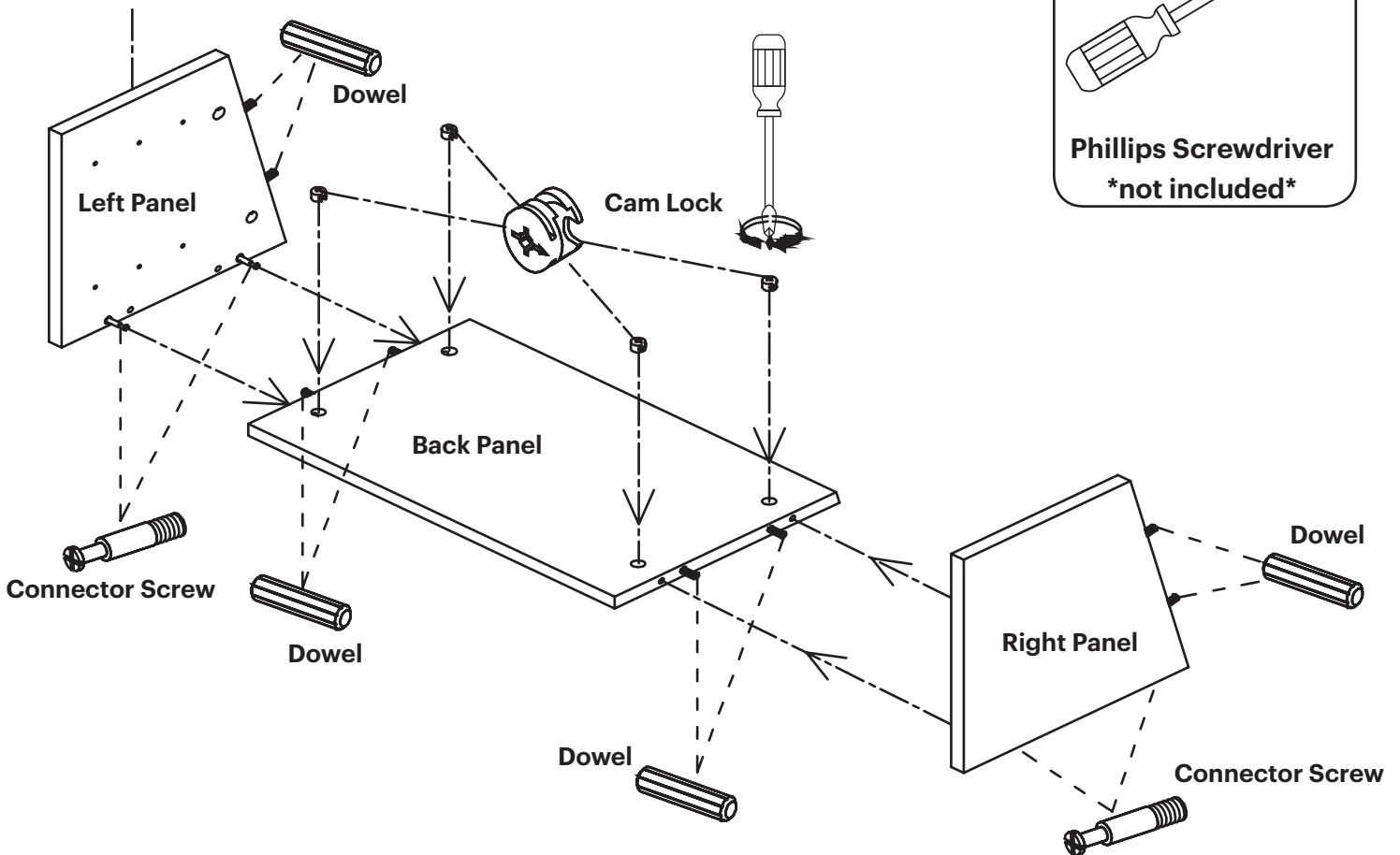


Shelf Bracket (x4)

## STEP 1: ATTACH SIDE PANELS

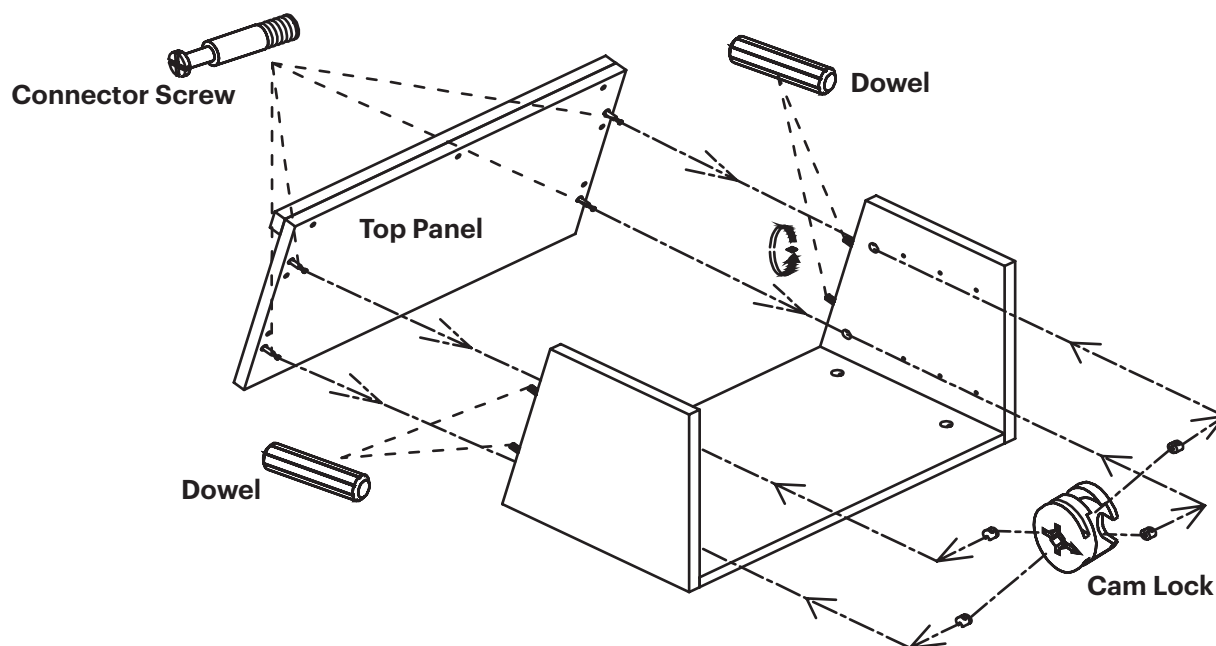
**Before you begin:** prepare a smooth and clean surface for assembly.

- Attach the Left Panel and Right Panel to the Back Panel as shown.



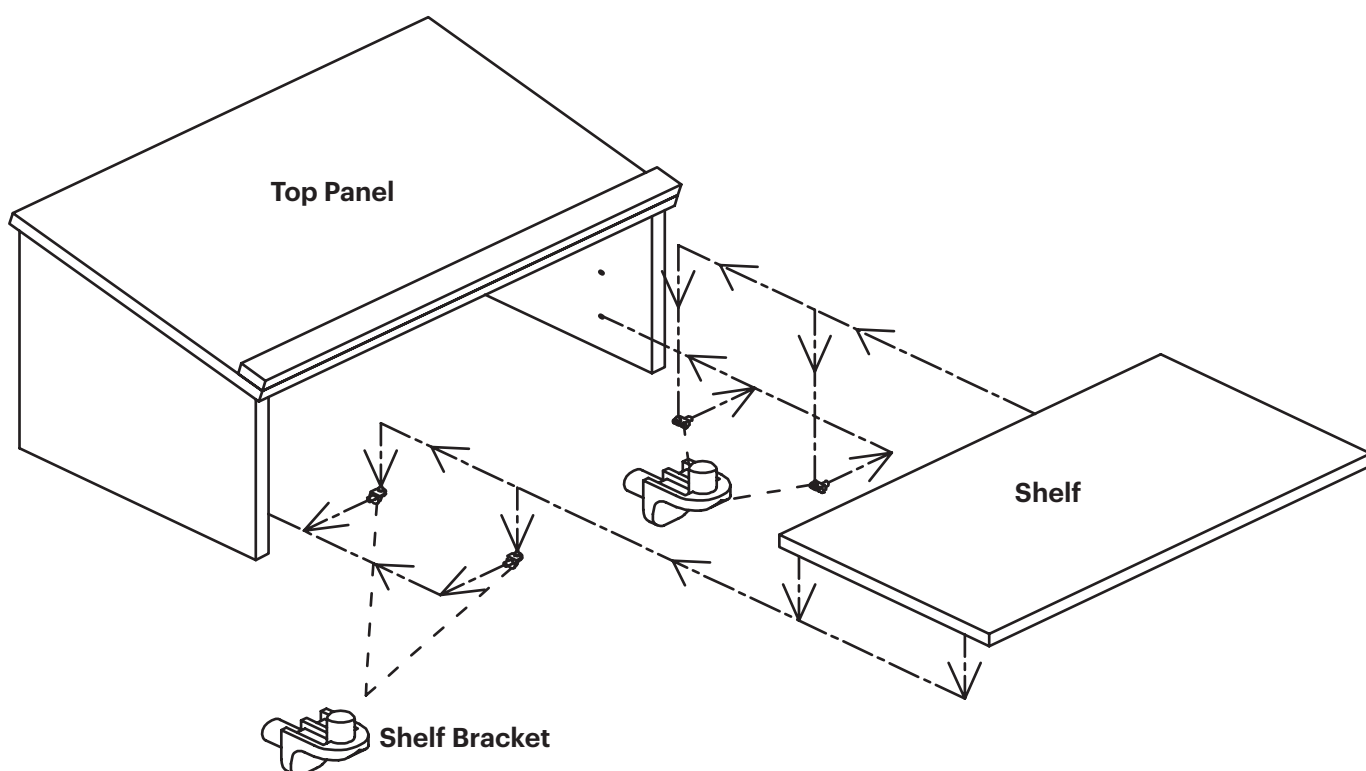
## STEP 2: ATTACH TOP PANEL

- Attach the Top Panel to the three-panel construction as shown.
- Use the cam locks to secure the Top Panel on the interior side of the Left and Right Panels.

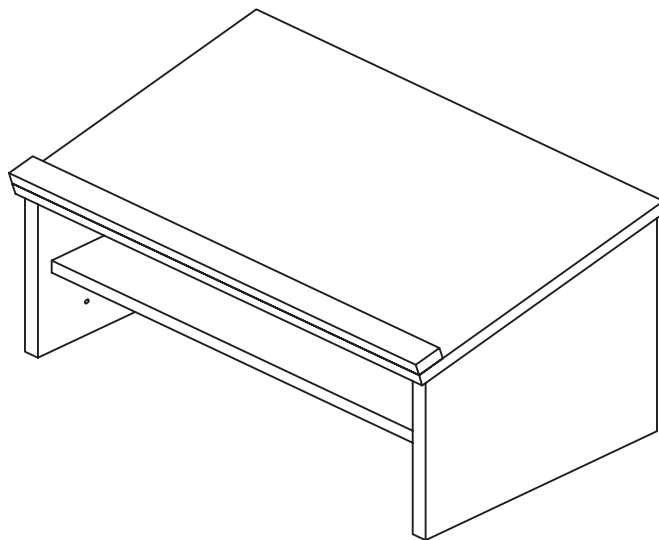


## STEP 3: INSTALL SHELF

- Attach the shelf brackets at the desired height, as shown.
- Place the shelf onto the installed brackets. Shelf height is adjustable.



**Congratulations!**  
Your AdirOffice Tabletop Lectern is ready to use.



© 2019 AdirCorp, all rights reserved.



[adiroffice.com](http://adiroffice.com)



[cs@adiroffice.com](mailto:cs@adiroffice.com)



+1 866-676-6221