



## INSTALLATION GUIDE

# AUTOMATIC HANDS-FREE LIQUID/GEL HAND SANITIZER/SOAP DISPENSER

WITH WALL PARTITION  
MOUNTING PLATE

ALP430-STA-2




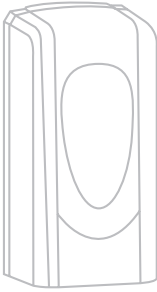




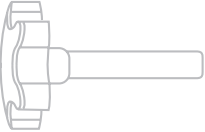


# THANK YOU FOR YOUR PURCHASE.

---

Known in the industry for excellent products, Alpine Industries is a manufacturer of innovative, solution-based products for the commercial and institutional markets worldwide. Combining commitment to the customer, design innovation and skilled, dedicated workforces, they have produced a range of products that are an essential part of every commercial facility. Every product is designed to the highest standards, enabling you to get your requirements done in a reliable and cost-effective way.

# PARTS LIST

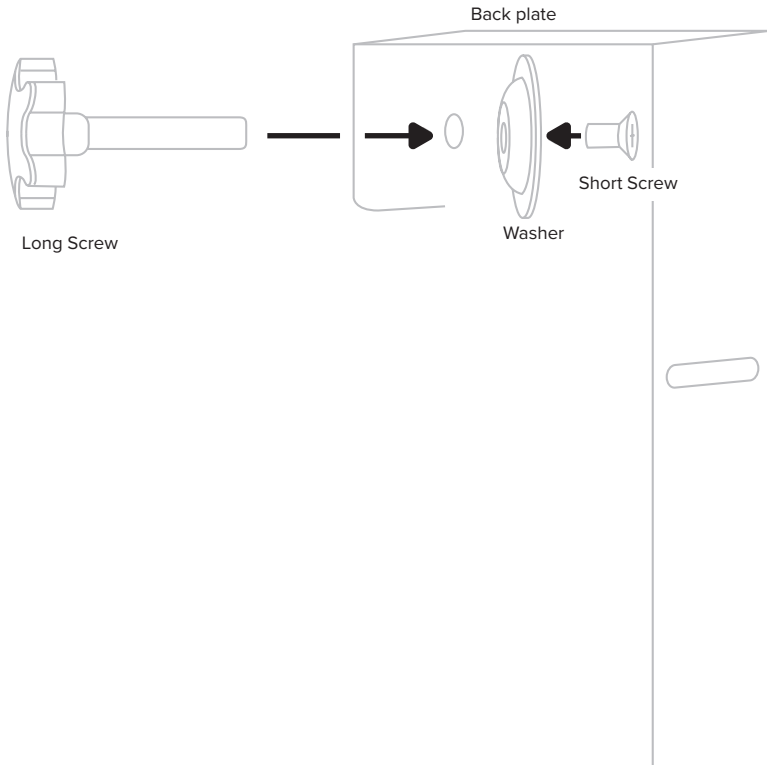
 <p><b>BACK TRAY (1)</b></p>	 <p><b>DISPENSER (1)</b></p>
 <p><b>M6 X 16 MEDIUM SCREWS (2)</b></p>	 <p><b>M6 X 2 NUTS (2)</b></p>
 <p><b>M8 X 42 WASHER (1)</b></p>	 <p><b>M4 x 8 SHORT SCREW (1)</b></p>
 <p><b>M8 X 42 LONG SCREW (1)</b></p>	

# INSTALLATION INSTRUCTIONS

## STEP 1:

Before beginning assembly, choose a desired mounting area.  
A place where the Back Plate can be properly hung is preferred.

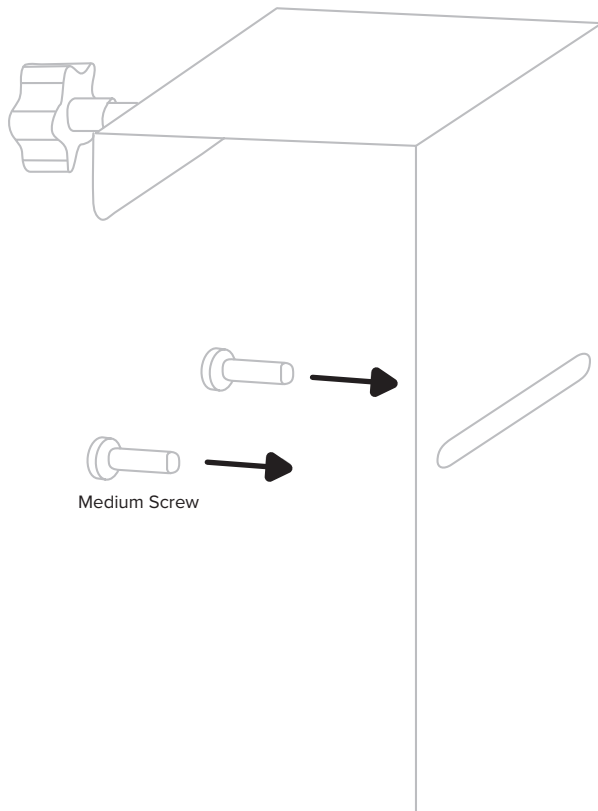
Take the M8 x 42 Long Screw and insert it into the hole in bracket on the back of the Back Plate. Then take the M8 x 42 Washer and screw it into the long screw with the M4 x 8 Short Screw.



# INSTALLATION INSTRUCTIONS

## STEP 2:

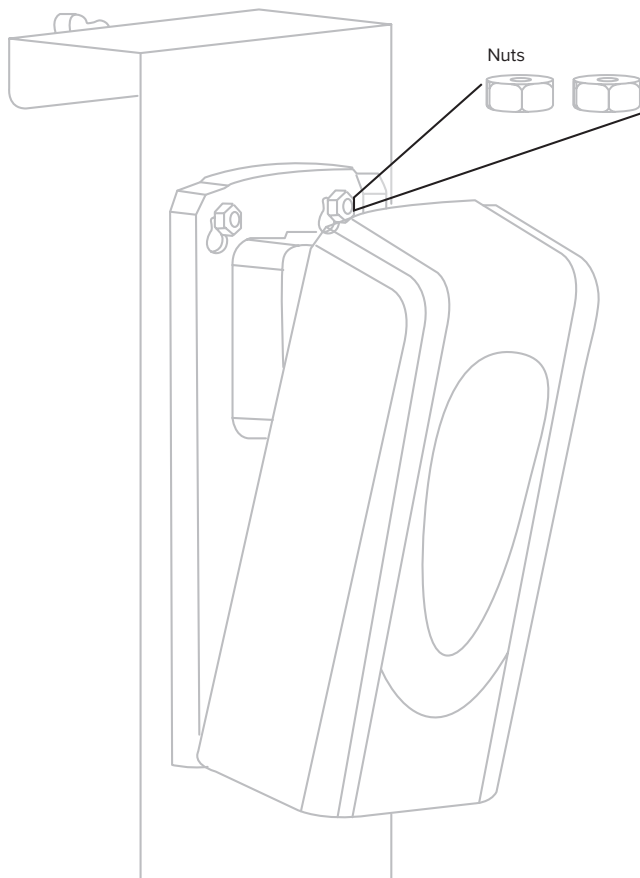
Place M6 X 16 Medium Screws into the back plate dispenser mounting slot.



# INSTALLATION INSTRUCTIONS

## STEP 3:

Carefully open the Dispenser unit and attach it against the mounting plate lining up the screws from the previous step into the holes in the back of the dispenser. Once latched onto the screws use the M6 x 2 Nuts to secure the Dispenser unit.

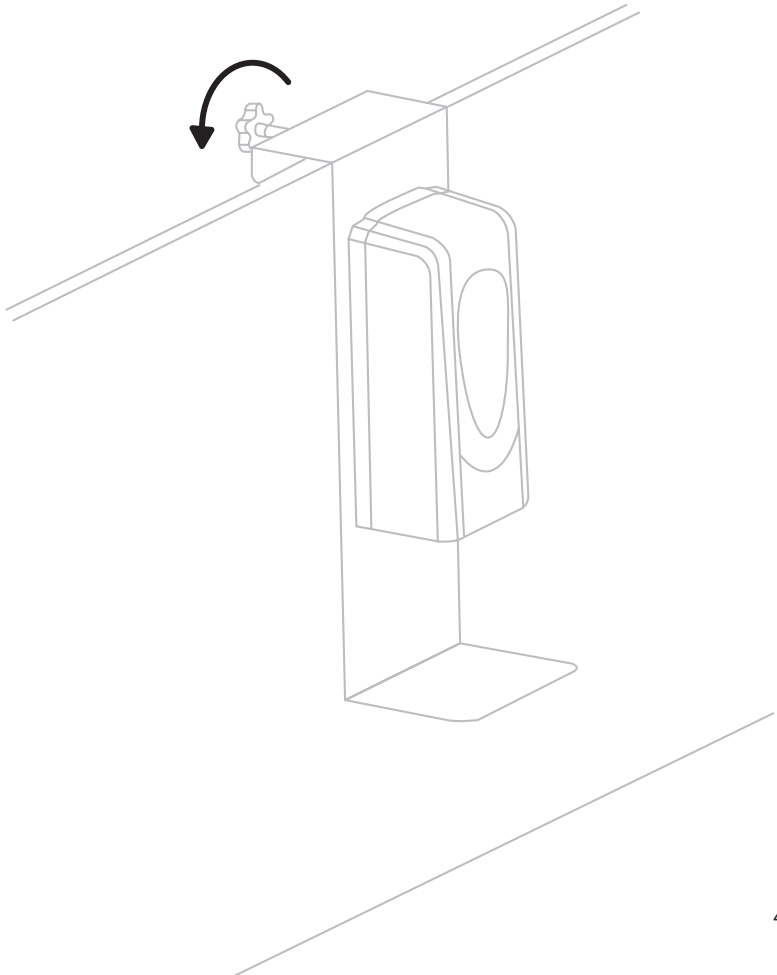


# INSTALLATION INSTRUCTIONS

## STEP 4:

Adjust the Dispenser to your desired mounting location. To finalize installation secure the back plate by twisting the knob on the Long Screw in the back to tighten the Back Plate to your wall partition.

Your installation is now complete.





27 Selvage Street • Irvington, NJ • 07111 • ©2020 All Rights Reserved.

[alpineindustries.com](http://alpineindustries.com)