

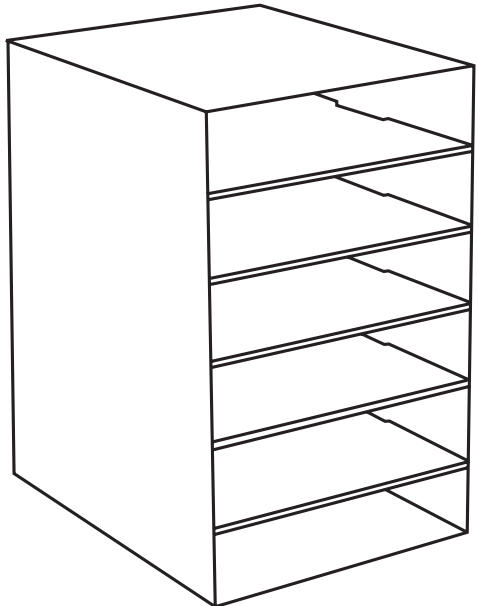


.....

Foldable

# 6-Shelf Organizer

.....



AD1501-06-SERIES

**USER GUIDE**



# Thank you for your purchase.

.....

**AdirOffice has a commitment to  
delivering quality and stylish office  
furniture and equipment.**

.....

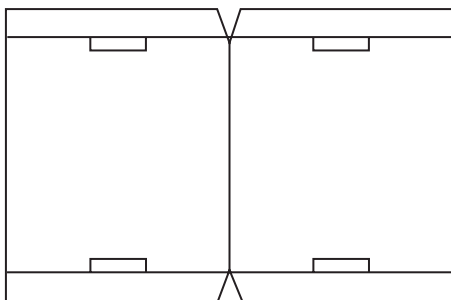
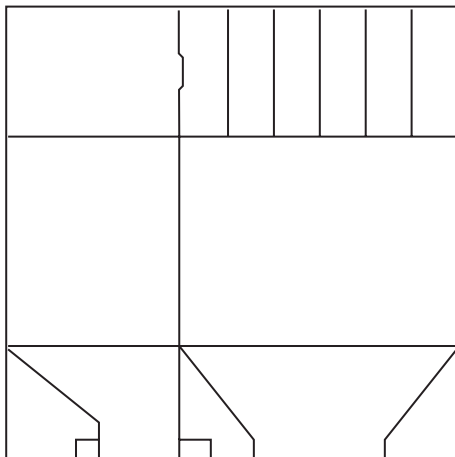
We understand starting and maintaining a business is expensive enough. We can help you make it cost effective and beautiful.

Plus, our expert team makes sure everything you need works as efficiently as possible.

# Table of Contents

- 1** Parts List
- 2** Assembly Instructions
- 7** Warranty
- 8** Disclaimer

# Parts List



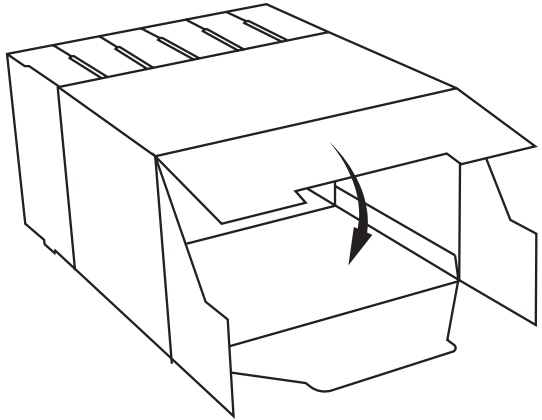
**SHELVES (5)**

# Assembly Instructions

## STEP 1

Square up the  
BASE with the BACK  
of it facing you.

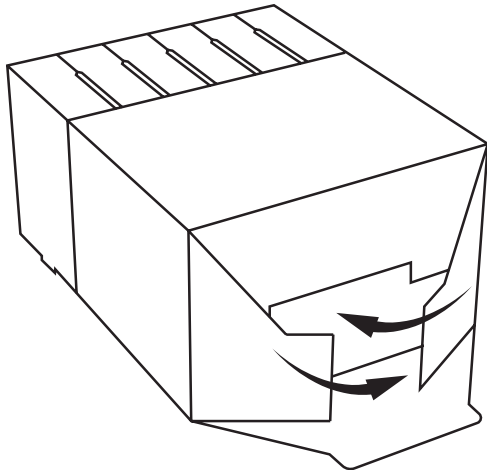
Fold the  
TOP FLAP over.



---

## STEP 2

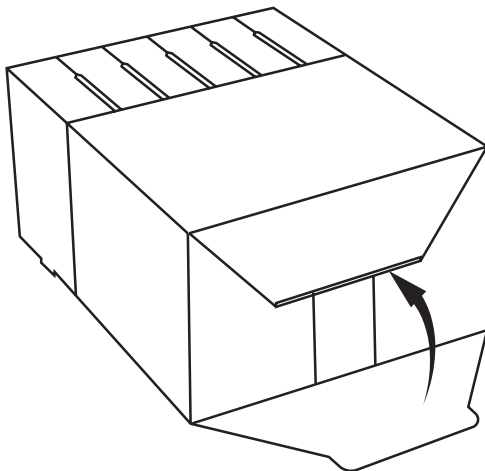
Fold the  
SIDE FLAPS over.



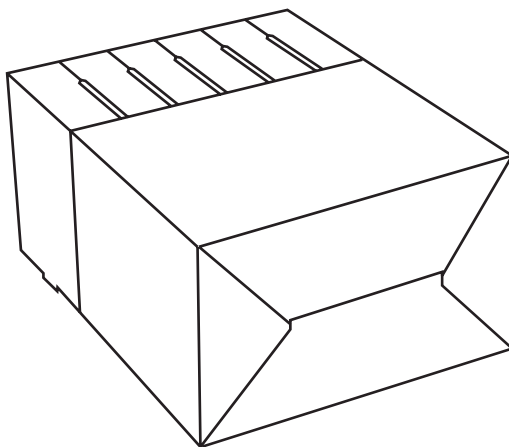
# Assembly Instructions

## STEP 3

Fold the BOTTOM FLAP over and tuck it under the TOP FLAP to lock it together.



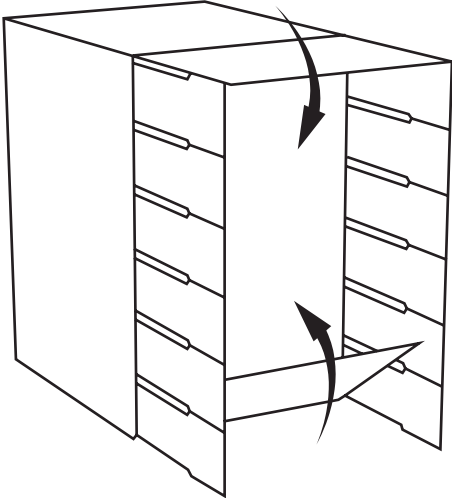
**FULLY  
ASSEMBLED  
BACK OF BASE**



# Assembly Instructions

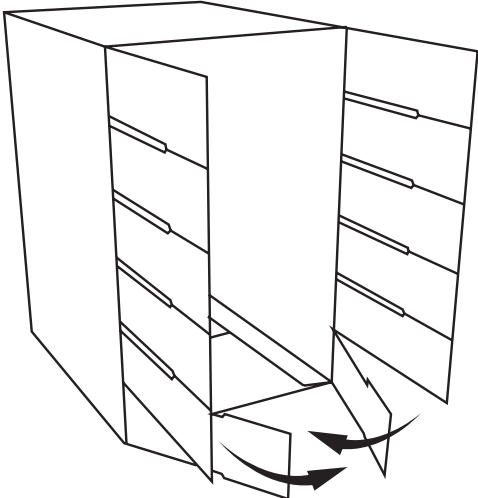
## STEP 4

Fold over the TOP and BOTTOM FLAP of the BASE



## STEP 5

Fold over the BOTTOM SIDE FLAPS of the BASE

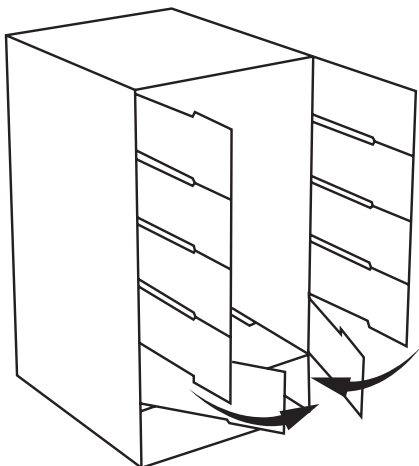
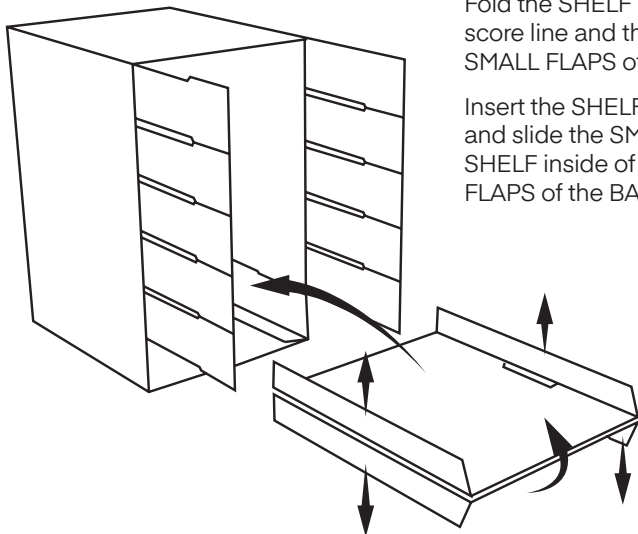


# Assembly Instructions

## STEP 6

Fold the SHELF in half at the center score line and then back fold the SMALL FLAPS of the SHELF.

Insert the SHELF into the BASE and slide the SMALL FLAPS of the SHELF inside of the BOTTOM SIDE FLAPS of the BASE.

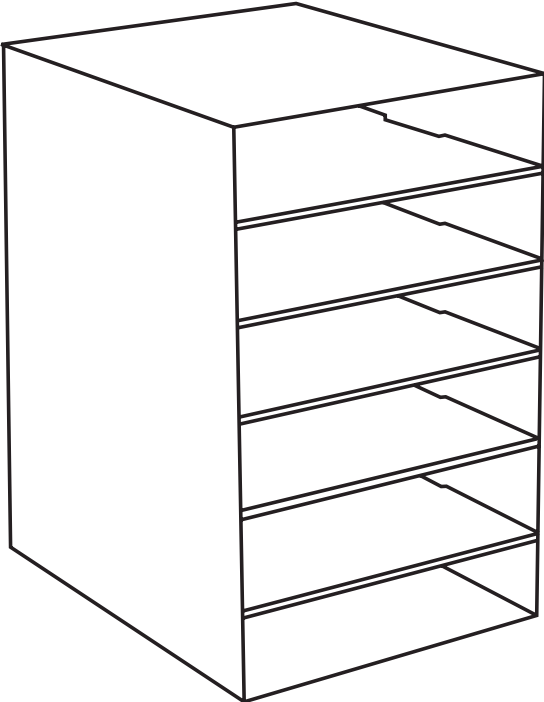


Fold over the next set of SIDE FLAPS that are above the SHELF to lock the SHELF in place.



# Assembly Instructions

## FULLY ASSEMBLED 6-SHELF ORGANIZER



# Limited Warranty

1. AdirCorp (the company) warrants to the purchaser that the product will be free from defects in workmanship and materials, before the item is unpacked and assembled, for a period of thirty (30) days from the date of purchase.
2. These warranties are not assignable or transferable to any other person.
3. Any damage to the product as a result of misuse, tampering, abuse, neglect, the alteration of the serial number, or use different from the instructions furnished by the Company will void this warranty. The Company reserves the right to evaluate the damage and make the final determination of the cause of damage.
4. The sole responsibility of the Company shall be limited to the repair or replacement (in its sole discretion) of any component of the product which fails to conform to this warranty at no cost to the purchaser for the period of the warranty.
5. Contact the Company directly to obtain service under this warranty. If it becomes under this warranty, purchaser must provide the Company with the following of damaged, and (d) written testimonial.
6. Number may not be accepted, and the Company will not be responsible for their disposition and/or cost of return to the owner.
7. The Company will not assume any responsibility for any loss or damage incurred invoice in order that this warranty may be honored.
8. This warranty is not an insurance policy. The Company is not responsible for any manner of damage to or theft of the Purchaser's product or its contents at any time.
9. We recommend that the product being returned is accompanied by the sales receipt with all relevant information regarding the purchase of the item and is returned to the Company within ten (10) days of the claim date of purchase to validate this warranty.
10. Any implied warranties that the purchaser may have are limited to the duration of the warranties described above. There are no further warranties that extend or apply beyond the face hereof, and the company expressly disclaims and excludes states do not allow limitations on how long an implied warranty lasts, so the above limitation may not apply to you.
11. Repair or replacement shall be the sole remedy for the purchaser under this warranty. The company shall not be liable for any direct, indirect, incidental or consequential damages, losses or expense arising from the use or misuse of the product. Some states do not allow the exclusion or limitations of incidental or consequential damages, these laws vary from state to state

# Disclaimer

By purchasing products from AdirCorp, user agrees as follows:

TO THE MAXIMUM EXTENT PERMITTED BY LAW, THE PRODUCTS AND INFORMATION ON THIS SITE IS PROVIDED "AS IS" AND WITH ALL FAULTS AND ADIRCORP. MAKES NO PROMISES, REPRESENTATIONS, OR WARRANTIES, EITHER EXPRESS, IMPLIED, STATUTORY, OR OTHERWISE, WITH RESPECT TO THE PRODUCTS AND INFORMATION, INCLUDING ITS CONDITION, ITS CONFORMITY TO ANY REPRESENTATION OR DESCRIPTION, OR THE EXISTENCE OF ANY LATENT OR PATENT DEFECTS, AND ADIRCORP. SPECIFICALLY DISCLAIMS ALL IMPLIED (IF ANY) WARRANTIES OF TITLE, MERCHANTABILITY, NON INFRINGEMENT, FITNESS FOR A PARTICULAR PURPOSE, ACCURACY OR COMPLETENESS, QUIET ENJOYMENT, AND QUIET POSSESSION. THE ENTIRE RISK ARISING OUT OF USE OR PERFORMANCE OF THE PRODUCTS AND INFORMATION LIES WITH USER.

TO THE MAXIMUM EXTENT PERMITTED BY LAW, IN NO EVENT SHALL ADIRCORP PRODUCTS OR ITS SUPPLIERS BE LIABLE FOR CONSEQUENTIAL, INCIDENTAL, SPECIAL, INDIRECT, OR EXEMPLARY DAMAGES WHATSOEVER ARISING OUT OF OR IN ANY WAY RELATING TO THIS AGREEMENT OR USER'S USE OF OR INABILITY TO USE THE PRODUCTS AND INFORMATION, OR THE PROVISION OR FAILURE TO PROVIDE SUPPORT SERVICES, INCLUDING, BUT NOT LIMITED TO, LOST PROFITS, LOSS OF CONFIDENTIAL OR OTHER INFORMATION, BUSINESS INTERRUPTION, PERSONAL INJURY, LOSS OF PRIVACY, FAILURE TO MEET ANY DUTY (INCLUDING OF GOOD FAITH OR REASONABLE CARE), NEGLIGENCE, COSTS OF PROCUREMENT OF SUBSTITUTE GOODS OR SERVICES, OR ANY OTHER CLAIM FOR PECUNIARY OR OTHER LOSS WHATSOEVER, OR FOR ANY CLAIM OR DEMAND AGAINST USER BY ANY OTHER PARTY, EVEN IF ADIRCORP HAS BEEN ADVISED OF THE POSSIBILITY OF SUCH DAMAGES. THESE LIMITATIONS SHALL APPLY NOTWITHSTANDING ANY FAILURE OF ESSENTIAL PURPOSE OF ANY LIMITED REMEDY.

NOTWITHSTANDING ANY DAMAGES USER MAY INCUR FOR ANY REASON WHATSOEVER (INCLUDING, WITHOUT LIMITATION, ALL DAMAGES REFERENCED ABOVE AND ALL DIRECT OR GENERAL DAMAGES), THE ENTIRE LIABILITY OF ADIRCORP AND ANY OF ITS SUPPLIERS UNDER ANY PROVISION OF THIS AGREEMENT AND YOUR EXCLUSIVE REMEDY FOR ALL OF THE FOREGOING SHALL BE LIMITED TO THE GREATER OF THE AMOUNT ACTUALLY PAID FOR THE PRODUCTS AND INFORMATION OR U.S. \$1. THE FOREGOING LIMITATIONS, EXCLUSIONS, AND DISCLAIMERS SHALL APPLY TO THE MAXIMUM EXTENT PERMITTED BY APPLICABLE LAW, EVEN IF ANY REMEDY FAILS ITS ESSENTIAL PURPOSE.

If any provision of this Agreement is declared invalid or unenforceable, the remaining provisions of this Agreement will remain in effect. AdirCorp has the right to modify these terms and conditions at any time.



ADI501-06-SERIES

27 Selvage Street • Irvington, NJ • 07111 • ©2020 All Rights Reserved.

**[adircorp.com](http://adircorp.com)**