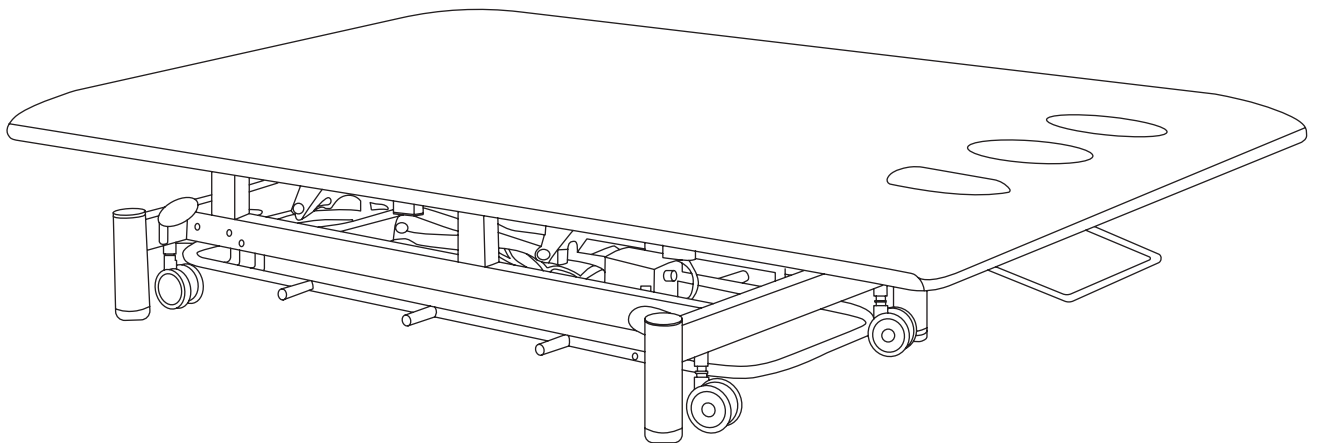




Hi-Lo

Therapy Table



ADI903-02

USER GUIDE



Thank you for your purchase.



**AdirMed maintains a strong practice
of ongoing development of products
and commercial research.**



We recognize that starting and maintaining a medical practice is expensive. We'll help make the process cost-effective and elegant. Additionally, our team of specialists will ensure everything you need works as efficiently as possible, so you can effectively treat your clients.

Table of Contents

- 1** Important Safety Information
- 3** Instructions For Use
- 5** Maintenance and Care
- 6** Notes
- 7** Warranty
- 8** Disclaimer

Important Safety Information

WARNING

- Improper setup, operation, or poorly maintained equipment may cause personal injury.
- To avoid this hazard, read and follow the instructions in this manual carefully.
- Check the padding and upholstery when unpacking the table. Do not use it if there are signs of damage. (Our warranty excludes damage caused to the table by improper setup, accident, abuse, or use other than the table's intended purpose.)

SAFETY INSTRUCTIONS

READ THE FOLLOWING CAREFULLY AND ENSURE THAT ALL STAFF MEMBERS WHO OPERATE THE TABLE ARE FULLY BRIEFED ON SAFETY COMPLIANCE.

- Do not place your hands or feet near the table's moving parts while adjusting the table sections.
- Use both hands to adjust the angle or the height of any section of the table.
- Do not adjust the section angle when a client is on the table.
- Do not crawl under the table under any circumstances to avoid injury from a potential table collapse.
- Be certain that the table is properly placed on a flat surface before allowing a client to lie on it; otherwise, the patient may lose balance and fall.
- Do not put excessive weight or pressure on the headrest or table extender.
- Keep children and pets away from the table.

WARNING: This product can expose you to chemicals including Lead and Di(2-ethylhexyl) phthalate (DEHP) which are known to the State of California to cause cancer and birth defects or other reproductive harm. For more information please go to WWW.P65WARNINGS.CA.GOV

Important Safety Information

ELECTRIC SHOCK DANGER

- The power supply/control box is located below the table. For safety purposes, DO NOT touch the power supply and control box when the table is in operation.
- Set up the table and complete all the preparatory work before connecting the power.
- Check the voltage rating on the serial plate of the motor. The motor's plug should only be inserted into a **110 VAC or 220 VAC** power outlet as indicated on the serial plate.
- Do not expose the table to extreme moisture or temperature to avoid shorting the power/control box.

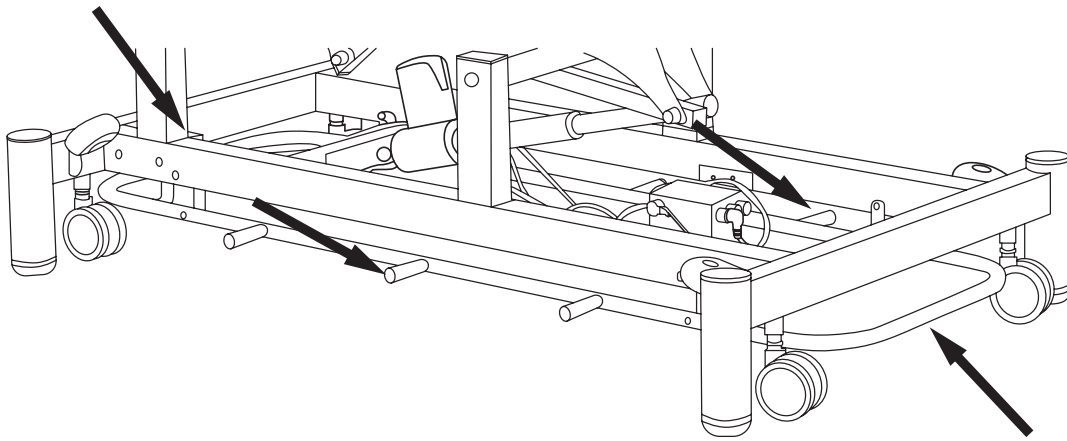
WEIGHT LIMIT:

Lifting Capacity: **550 Lbs/250kgs** (including client and accessories)

Instructions For Use

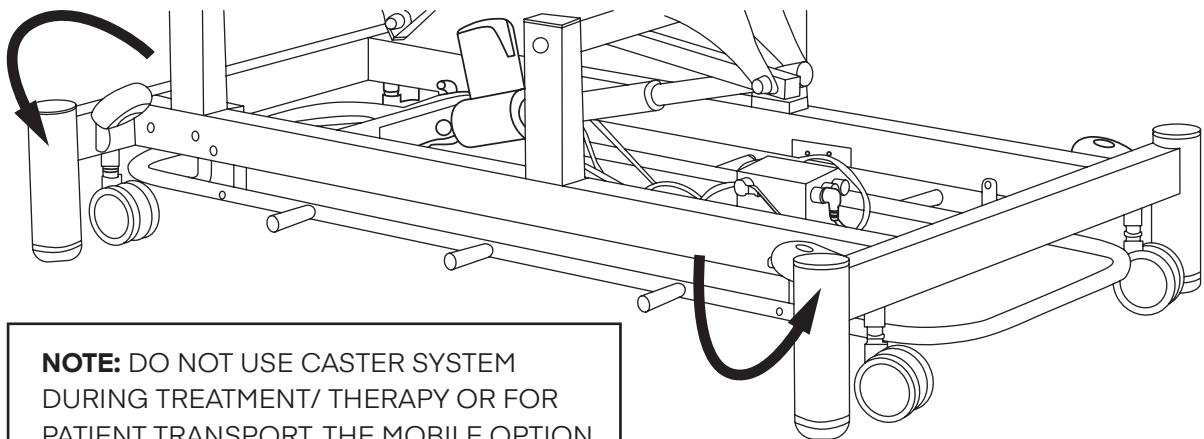
ADJUSTING THE HEIGHT OF THE TABLE:

- Height adjustment is achieved with the foot bar switch. The Hi-Lo function could be adjusted from four sides.
- **TO RAISE THE TABLE:** Push the foot bar control to left.
- **TO LOWER THE TABLE:** Push the foot bar control to the right.



APPLYING THE FOOT RELEASE CASTER SYSTEM

- **TO MAKE MOBILE:** Place your foot on the positioning lever and push downward.
- **TO MAKE STATIONARY:** Lift the positioning lever up with your foot.



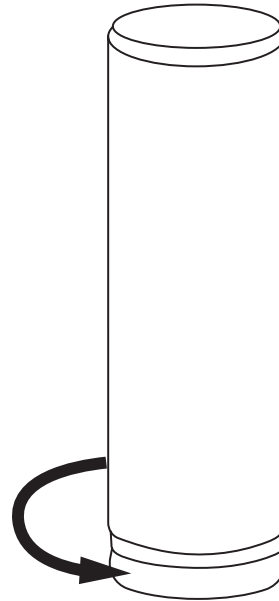
NOTE: DO NOT USE CASTER SYSTEM DURING TREATMENT/ THERAPY OR FOR PATIENT TRANSPORT. THE MOBILE OPTION IS ONLY FOR TABLE TRANSPORT ITSELF.

Instructions For Use

USING THE ADJUSTABLE FOOT:

Each table comes with four adjustable feet. It can adjust up or down to stabilize the table if it is on an uneven surface.

CAUTION: DO NOT USE THE FOOT LEVER SYSTEM DURING TREATMENT/ THERAPY OR FOR PATIENT TRANSPORT. THE MOBILE OPTION IS ONLY FOR TABLE TRANSPORT ITSELF.



Maintenance and Care

Please make sure your table is serviced yearly to ensure your table functions to its maximum capability. Lubrication of pivot points and moving points on the table frame must be done regularly.

Electrically powered tables are equipped with a long-running, maintenance-free electric motor. Should any problems occur with this unit, please contact us.

HOW TO CARE FOR YOUR UPHOLSTERY FABRIC

Here are some steps to protect the table's upholstery and ensure the longevity of the product.

- Avoid storing the table in frigid temperatures since the excessive cold will cause the upholstery to crack. Keeping the table in an unheated area during the winter is not recommended.
- Avoid storing the table in hot temperatures since the excessive heat will cause the upholstery to stretch and pucker. Keep the table away from heaters, electrical appliances, direct sunlight, and the inside of your car during hot weather.
- Clean the table's upholstery after each day of use. We recommend cleaning the upholstery with a mild detergent to protect it against oil stains and set-in dirt. A common practice is to use a spray bottle filled with a mixture of anti-bacterial dish soap and water on the upholstery, followed by a wipe down with a clean towel.
- Protect the table from general abrasions, cuts, and punctures.

CAUTION:

- RUBBING ALCOHOL WILL DRY OUT THE UPHOLSTERY AND CAUSE IT TO CRACK.
- MOISTURE MAY CAUSE THE ELECTRIC ACTUATOR TO SHORT. KEEP THE TABLE AWAY FROM WATER.

Limited Warranty

1. AdirCorp (the company) warrants to the purchaser that the product will be free from defects in workmanship and materials for a period of three (3) year from the date of purchase.
2. These warranties are not assignable or transferable to any other person.
3. Any damage to the product as a result of misuse, tampering, abuse, neglect, accident, improper installation, modification, unauthorized service, destruction, or the alteration of the serial number, or use violate of the instructions furnished by the Company will void this warranty.
4. The sole responsibility of the Company shall be limited to the repair or replacement (in its sole discretion) of any component of the product which fails to conform to this warranty at no cost to the purchaser for the period of the warranty.
5. Contact the Company directly to obtain service under this warranty. If it becomes applicable to send a defective product to the Company, a Return Authorization Number must first be obtained from the company. To obtain service under this warranty, purchaser must provide the Company with the following items (a) proof of purchase, (b) police or fire department report, (c) photographs of damaged sad, and (d) written testimonial.
6. Products shipped without prior Return Authorization and Return Authorization Number may not be accepted, and the Company will not be responsible for their disposition and/or cost of return to the owner.
7. The Company will not assume any responsibility for any loss or damage incurred in shipping. All return authorized products should include a copy of the original invoice in order that this warranty may be Honored.
8. This warranty is not an insurance policy. The Company is not responsible for any manner of damage to or theft of the Purchaser's product or its contents.
9. We recommend that the product being returned is accompanied by the sales receipt with all relevant information regarding the purchase of the item and is returned to the Company within ten (10) days of the claim date of purchase to validate this warranty.
10. Any implied warranties that the purchaser may have are limited to the duration of the warranties described above. There are no further warranties that extend or apply beyond the face hereof, and the company expressly disclaims and excludes any and all warranties of merchantability or fitness for a particular purpose. Some states do not allow limitations on how long an implied warranty lasts, so the above limitation may not apply to you.
11. Repair or replacement shall be the sole remedy for the purchaser under this warranty. The company shall not be liable for any direct, indirect, incidental or consequential damages, losses or expense arising from the use or misuse of the product. Some states do not allow the exclusion or limitations of incidental or consequential damages, so the limitation may not apply to you.
12. This warranty gives you specific legal rights, and you may also have other rights which vary from state to state.

Disclaimer

By purchasing products from AdirCorp, user agrees as follows:

TO THE MAXIMUM EXTENT PERMITTED BY LAW, THE PRODUCTS AND INFORMATION ON THIS SITE IS PROVIDED "AS IS" AND WITH ALL FAULTS AND ALPINE INDUSTRIES. MAKES NO PROMISES, REPRESENTATIONS, OR WARRANTIES, EITHER EXPRESS, IMPLIED, STATUTORY, OR OTHERWISE, WITH RESPECT TO THE PRODUCTS AND INFORMATION, INCLUDING ITS CONDITION, ITS CONFORMITY TO ANY REPRESENTATION OR DESCRIPTION, OR THE EXISTENCE OF ANY LATENT OR PATENT DEFECTS, AND ALPINE INDUSTRIES. SPECIFICALLY DISCLAIMS ALL IMPLIED (IF ANY) WARRANTIES OF TITLE, MERCHANTABILITY, NON INFRINGEMENT, FITNESS FOR A PARTICULAR PURPOSE, ACCURACY OR COMPLETENESS, QUIET ENJOYMENT, AND QUIET POSSESSION. THE ENTIRE RISK ARISING OUT OF USE OR PERFORMANCE OF THE PRODUCTS AND INFORMATION LIES WITH USER.

TO THE MAXIMUM EXTENT PERMITTED BY LAW, IN NO EVENT SHALL ALPINE INDUSTRIES PRODUCTS OR ITS SUPPLIERS BE LIABLE FOR CONSEQUENTIAL, INCIDENTAL, SPECIAL, INDIRECT, OR EXEMPLARY DAMAGES WHATSOEVER ARISING OUT OF OR IN ANY WAY RELATING TO THIS AGREEMENT OR USER'S USE OF OR INABILITY TO USE THE PRODUCTS AND INFORMATION, OR THE PROVISION OR FAILURE TO PROVIDE SUPPORT SERVICES, INCLUDING, BUT NOT LIMITED TO, LOST PROFITS, LOSS OF CONFIDENTIAL OR OTHER INFORMATION, BUSINESS INTERRUPTION, PERSONAL INJURY, LOSS OF PRIVACY, FAILURE TO MEET ANY DUTY (INCLUDING OF GOOD FAITH OR REASONABLE CARE), NEGLIGENCE, COSTS OF PROCUREMENT OF SUBSTITUTE GOODS OR SERVICES, OR ANY OTHER CLAIM FOR PECUNIARY OR OTHER LOSS WHATSOEVER, OR FOR ANY CLAIM OR DEMAND AGAINST USER BY ANY OTHER PARTY, EVEN IF ALPINE INDUSTRIES HAS BEEN ADVISED OF THE POSSIBILITY OF SUCH DAMAGES. THESE LIMITATIONS SHALL APPLY NOTWITHSTANDING ANY FAILURE OF ESSENTIAL PURPOSE OF ANY LIMITED REMEDY.

NOTWITHSTANDING ANY DAMAGES USER MAY INCUR FOR ANY REASON WHATSOEVER (INCLUDING, WITHOUT LIMITATION, ALL DAMAGES REFERENCED ABOVE AND ALL DIRECT OR GENERAL DAMAGES), THE ENTIRE LIABILITY OF ALPINE INDUSTRIES AND ANY OF ITS SUPPLIERS UNDER ANY PROVISION OF THIS AGREEMENT AND YOUR EXCLUSIVE REMEDY FOR ALL OF THE FOREGOING SHALL BE LIMITED TO THE GREATER OF THE AMOUNT ACTUALLY PAID FOR THE PRODUCTS AND INFORMATION OR U.S. \$1. THE FOREGOING LIMITATIONS, EXCLUSIONS, AND DISCLAIMERS SHALL APPLY TO THE MAXIMUM EXTENT PERMITTED BY APPLICABLE LAW, EVEN IF ANY REMEDY FAILS ITS ESSENTIAL PURPOSE.

If any provision of this Agreement is declared invalid or unenforceable, the remaining provisions of this Agreement will

remain in effect. AdirCorp has the right to modify these terms and conditions at any time.



ADI690-02

27 Selvage Street • Irvington, NJ • 07111 • © 2020 AdirCorp

adircorp.com