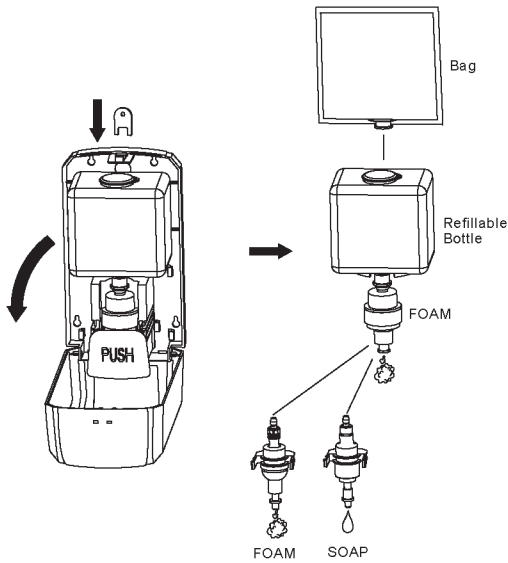
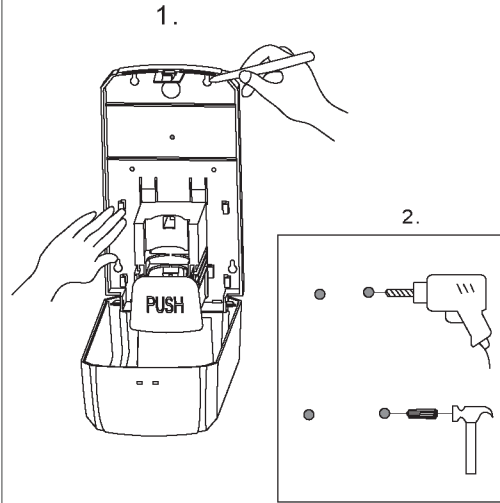


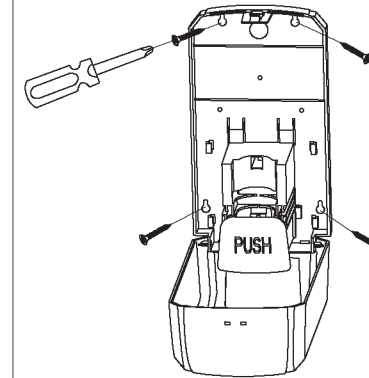
STEP 1



STEP 2

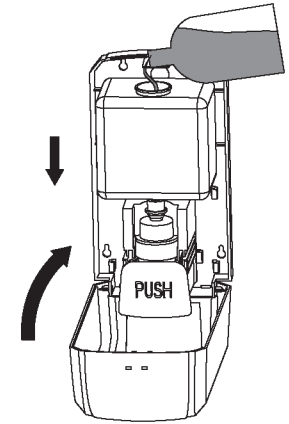


STEP 3



STEP 4

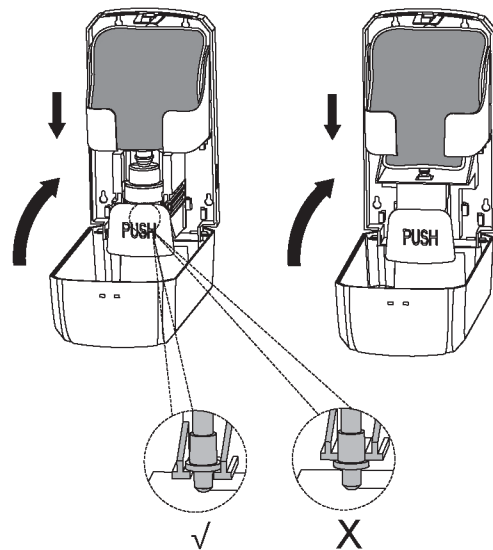
Refillable Bottle



STEP 5

Pump+Bag

Silicone Tube+Bag

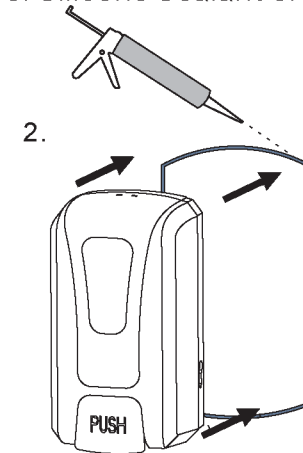
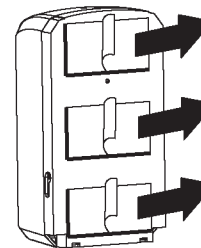


STEP 6

Stick the plastic sign holder onto the base

1.*Double-sided adhesive(Optional)

3. Silicone Sealant 3.*



The standard Packing is not including
Double- sided adhesive and Silicone sealant*

