



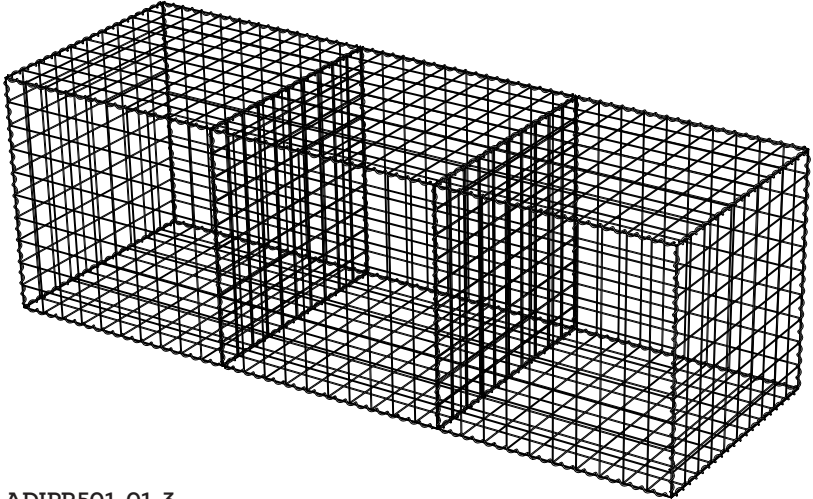
.....

Heavy Gauge Welded

Gabion Basket

3 Cubic Feet

.....



ADIPR501-01-3

USER GUIDE



Thank you for your purchase.

.....

AdirPro is known for its quality products in the construction industry, all manufactured to the highest standards.

.....

We strive to help you complete your project in the most reliable, safe, and cost-effective manner. We deliver everything with accuracy you can count on so your team can count on you.

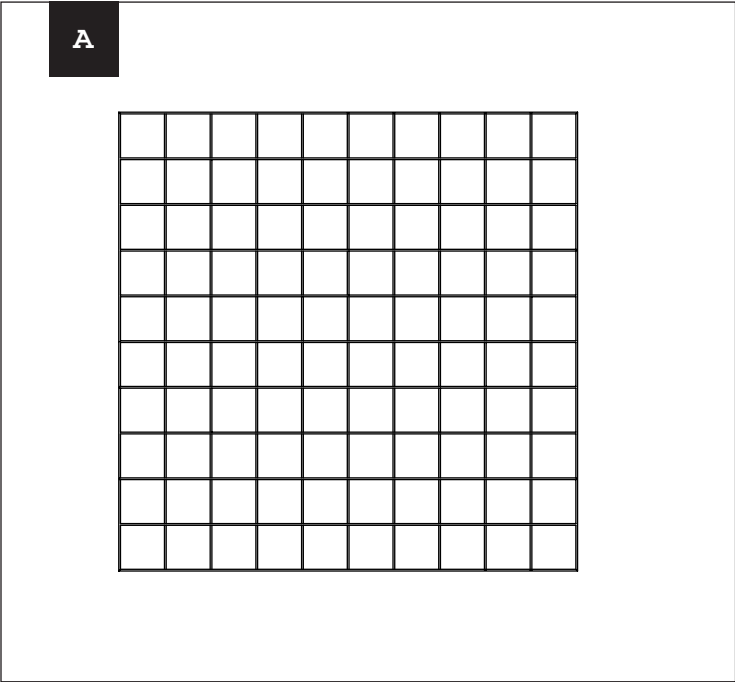
Table of Contents

- 1** Parts and Hardware
- 4** Assembly Instructions
- 6** Limited Warranty
- 8** Disclaimer

Parts and Hardware

Parts:

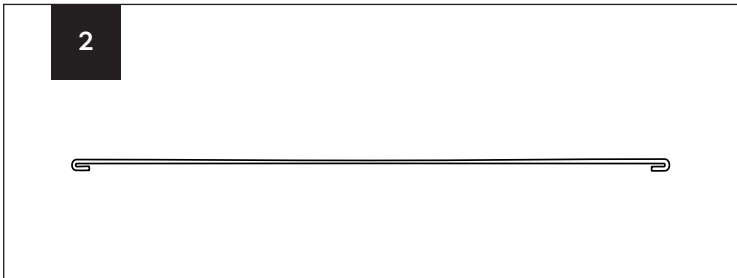
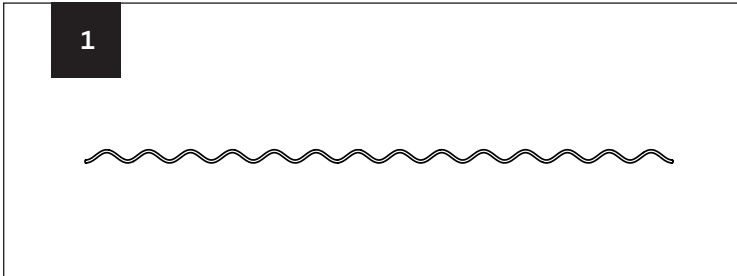
A. Panel (x18)



Parts and Hardware

Hardware:

1. Gabion Spiral (x36)
2. Gabion Stiffener Rod (x9)



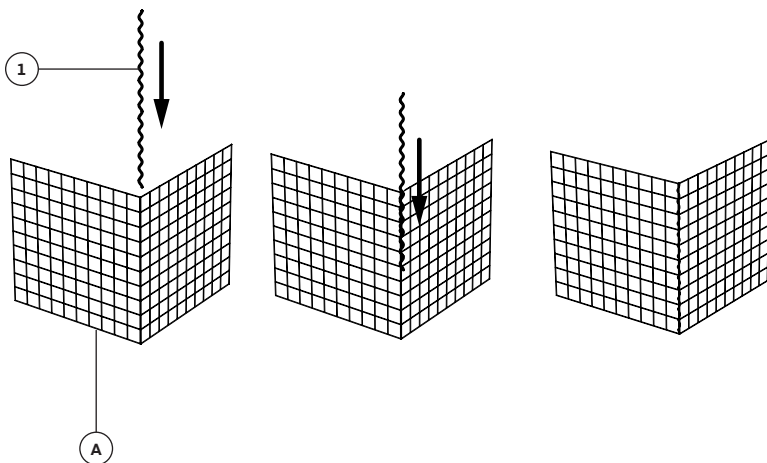
Assembly Instructions

ATTENTION!:

Please read the operating instructions carefully before assembling or using the product to avoid damage due to improper use. If you pass this product on to third parties, these operating instructions must also be handed over. Wear protective goggles, footwear, hardhat, and gloves during setup to protect yourself from possible injury.

Step 1:

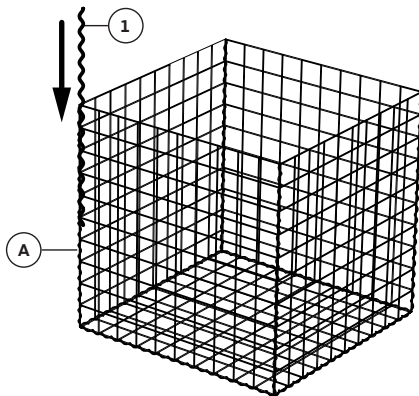
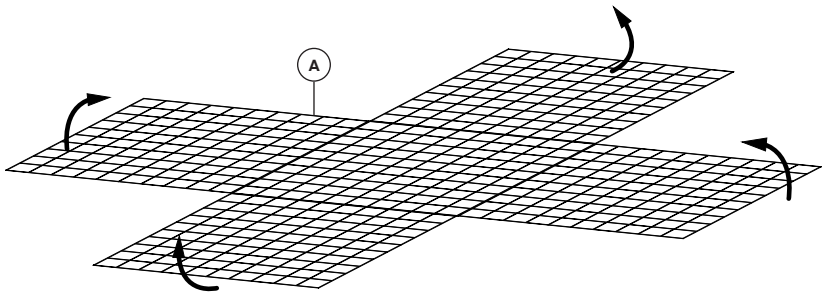
1. Assemble five Panels (A) with the help of the Gabion Spirals (1).
Twist the Gabion Spirals (1) through the mesh of the adjacent panels.



Assembly Instructions

Step1:

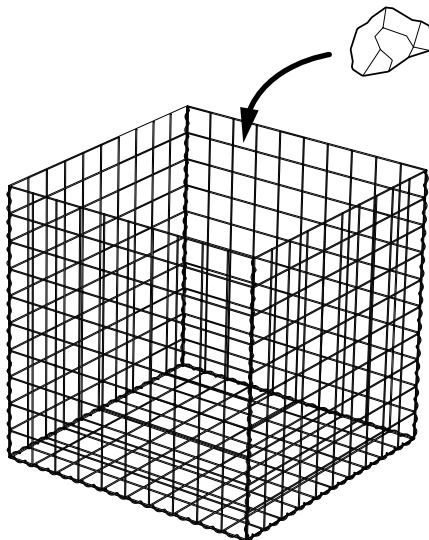
2. Once the base and the four sides are attached, fold up each side and connect them with the Gabion Spirals (1).



Assembly Instructions

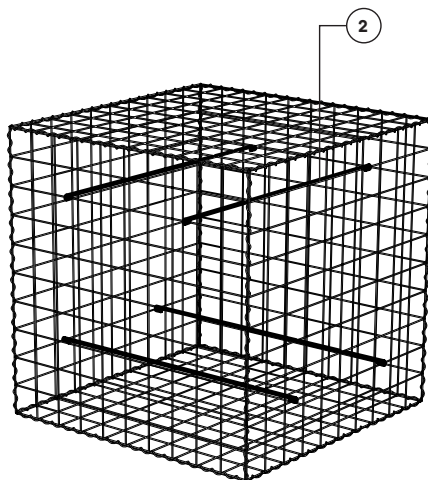
Step 2:

1. Fill the Gabion Basket carefully with stones and ensure that all corners and edges are evenly filled so that no cavities are created.



Step 2:

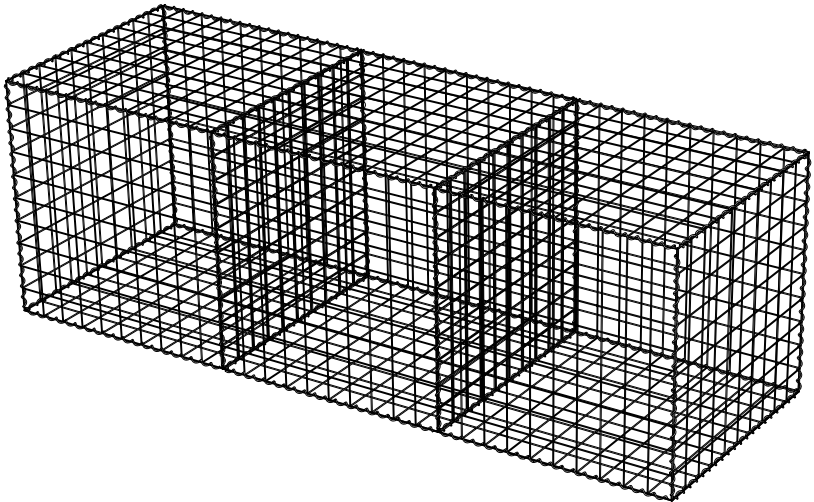
2. Hook the Gabion Stiffener Rods (2) to the Panels (A) during the filling process, as shown here. This will help prevent bulging and keep your baskets square.
3. After it has been filled, attach another Panel (A) with four Gabion Spirals (1) on the top of the basket.



Assembly Instructions

Note:

The Gabion Basket comes in a convenient 3 pack. Assemble the remaining two as you did the first one by following the above steps. Then, when it is time to group them, we recommend using all of the panels included for added reinforcement. But, the two middle panels may not be necessary, depending on your needs.



Limited Warranty

1. Adir Pro (the company) warrants to the purchaser that the product will be free from defects in workmanship and materials for a period of one (1) year from the date of purchase.
2. These warranties are not assignable or transferable to any other person.
3. Any damage to the product as a result of misuse, tampering, abuse, neglect, accident, improper installation, modification, unauthorized service, destruction, or the alteration of the serial number, or use violate of the instructions furnished by the Company will void this warranty.
4. The sole responsibility of the Company shall be limited to the repair or replacement (in its sole discretion) of any component of the product which fails to conform to this warranty at no cost to the purchaser for the period of the warranty.
5. Contact the Company directly to obtain service under this warranty. If it becomes applicable to send a defective product to the Company, a Return Authorization Number must first be obtained from the company. In order to obtain service under this warranty, purchaser must provide the Company with the following items (a) proof of purchase, (b) police or fire department report, (c) photographs of damaged sad, and (d) written testimonial.
6. Products shipped without prior Return Authorization and Return Authorization Number may not be accepted, and the Company will not be responsible for their disposition and/or cost of return to the owner.
7. The Company will not assume any responsibility for any loss or damage incurred in shipping. All return authorized products should include a copy of the original invoice in order that this warranty may be Honored.
8. This warranty is not an insurance policy. The Company is not responsible for any manner of damage to or theft of the Purchaser's products or it's contents.
9. We recommend that the product being returned is accompanied by the sales receipt with all relevant information regarding the purchase of the item and is returned to the Company within ten (10) days of the claim date of purchase to validate this warranty.
10. Any implied warranties that the purchaser may have are limited to the duration of the warranties described above. There are no further warranties that extend or apply beyond the face hereof, and the company expressly disclaims and excludes any and all warranties of merchantability or fitness for a particular purpose. Some states do not allow limitations on how long an implied warranty lasts, so the above limitation may not apply to you.
11. Repair or replacement shall be the sole remedy for the purchaser under this warranty. The company shall not be liable for any direct, indirect, incidental or consequential damages, losses or expense arising from the use or misuse of the product. Some states do not allow the exclusion or limitations of incidental or consequential damages, so the limitation may not apply to you.
12. This warranty gives you specific legal rights, and you may also have other rights which vary from state to state.

Disclaimer

By purchasing products from Adir Pro, user agrees as follows:

TO THE MAXIMUM EXTENT PERMITTED BY LAW, THE PRODUCTS AND INFORMATION ON THIS SITE IS PROVIDED "AS IS" AND WITH ALL FAULTS AND ADIR PRO. MAKES NO PROMISES, REPRESENTATIONS, OR WARRANTIES, EITHER EXPRESS, IMPLIED, STATUTORY, OR OTHERWISE, WITH RESPECT TO THE PRODUCTS AND INFORMATION, INCLUDING ITS CONDITION, ITS CONFORMITY TO ANY REPRESENTATION OR DESCRIPTION, OR THE EXISTENCE OF ANY LATENT OR PATENT DEFECTS, AND ADIR PRO. SPECIFICALLY DISCLAIMS ALL IMPLIED (IF ANY) WARRANTIES OF TITLE, MERCHANTABILITY, NON INFRINGEMENT, FITNESS FOR A PARTICULAR PURPOSE, ACCURACY OR COMPLETENESS, QUIET ENJOYMENT, AND QUIET POSSESSION. THE ENTIRE RISK ARISING OUT OF USE OR PERFORMANCE OF THE PRODUCTS AND INFORMATION LIES WITH USER.

TO THE MAXIMUM EXTENT PERMITTED BY LAW, IN NO EVENT SHALL ADIR PRO PRODUCTS OR ITS SUPPLIERS BE LIABLE FOR CONSEQUENTIAL, INCIDENTAL, SPECIAL, INDIRECT, OR EXEMPLARY DAMAGES WHATSOEVER ARISING OUT OF OR IN ANY WAY RELATING TO THIS AGREEMENT OR USER'S USE OF OR INABILITY TO USE THE PRODUCTS AND INFORMATION, OR THE PROVISION OR FAILURE TO PROVIDE SUPPORT SERVICES, INCLUDING, BUT NOT LIMITED TO, LOST PROFITS, LOSS OF CONFIDENTIAL OR OTHER INFORMATION, BUSINESS INTERRUPTION, PERSONAL INJURY, LOSS OF PRIVACY, FAILURE TO MEET ANY DUTY (INCLUDING OF GOOD FAITH OR REASONABLE CARE), NEGLIGENCE, COSTS OF PROCUREMENT OF SUBSTITUTE GOODS OR SERVICES, OR ANY OTHER CLAIM FOR PECUNIARY OR OTHER LOSS WHATSOEVER, OR FOR ANY CLAIM OR DEMAND AGAINST USER BY ANY OTHER PARTY, EVEN IF ADIR PRO HAS BEEN ADVISED OF THE POSSIBILITY OF SUCH DAMAGES. THESE LIMITATIONS SHALL APPLY NOTWITHSTANDING ANY FAILURE OF ESSENTIAL PURPOSE OF ANY LIMITED REMEDY.

NOTWITHSTANDING ANY DAMAGES USER MAY INCUR FOR ANY REASON WHATSOEVER (INCLUDING, WITHOUT LIMITATION, ALL DAMAGES REFERENCED ABOVE AND ALL DIRECT OR GENERAL DAMAGES), THE ENTIRE LIABILITY OF ADIR PRO AND ANY OF ITS SUPPLIERS UNDER ANY PROVISION OF THIS AGREEMENT AND YOUR EXCLUSIVE REMEDY FOR ALL OF THE FOREGOING SHALL BE LIMITED TO THE GREATER OF THE AMOUNT ACTUALLY PAID FOR THE PRODUCTS AND INFORMATION OR U.S. \$1. THE FOREGOING LIMITATIONS, EXCLUSIONS, AND DISCLAIMERS SHALL APPLY TO THE MAXIMUM EXTENT PERMITTED BY APPLICABLE LAW, EVEN IF ANY REMEDY FAILS ITS ESSENTIAL PURPOSE.

If any provision of this Agreement is declared invalid or unenforceable, the remaining provisions of this Agreement will remain in effect. Adir Pro has the right to modify these terms and conditions at any time.



ADIPR501-01-3

27 Selvage Street • Irvington, NJ • 07111 • © 2021 AdirCorp

adircorp.com