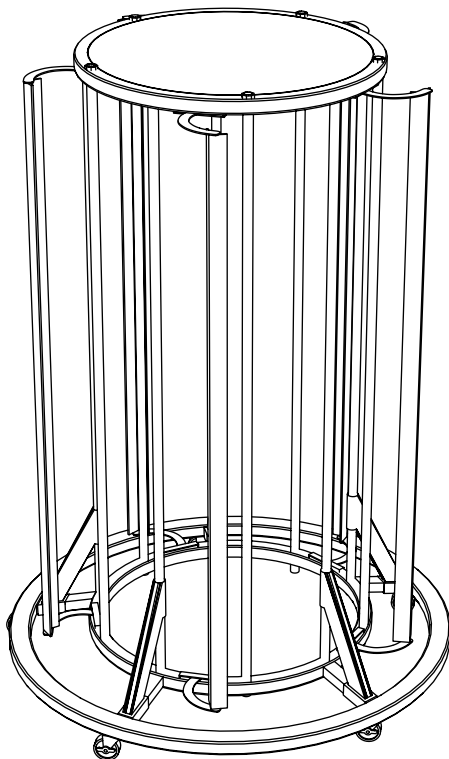


.....

# PAPER ROLL DISPENSER

(5-ROLLS)

.....



**USER GUIDE**  
ADIKI300-01-SERIES





# Thank you for your purchase.

.....

**AdirKids commits to delivering safe and quality children's products.**

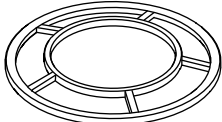

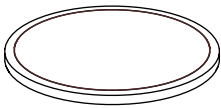
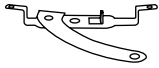

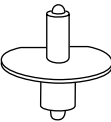
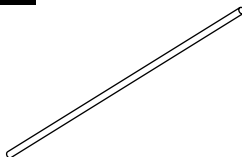
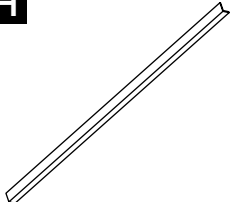
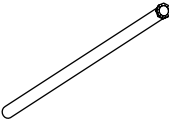
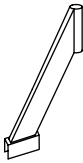
.....

We pride ourselves on creating uniquely exquisite products for your children that they will enjoy for many years to come. Furnishing your child's room or classroom can be expensive and stressful, but we'll help make the process affordable and stress-free. Every product is designed to the highest standards, with safety being the top priority, and we offer a broad range of aesthetics, ensuring to fit your classroom or child's style. Plus, our expert team makes sure everything you need works as efficiently as possible.

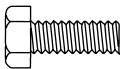

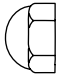


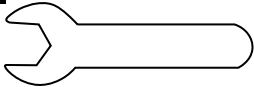
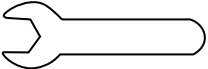
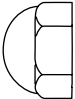
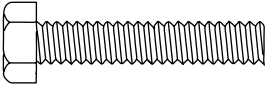
# Table of Contents

- 2** Parts
- 3** Hardware
- 4** Assembly Instructions
- 13** Loading Paper
- 14** Cutting Paper
- 15** Warranty

# Parts

<p><b>A</b></p>  <p>Bottom Frame</p>	<p><b>B</b></p>  <p>Bottom Spring Arm (x5)</p>	<p><b>C</b></p>  <p>Top Frame</p>
<p><b>D</b></p>  <p>Top Spring Arm (x5)</p>	<p><b>E</b></p>  <p>Caster Wheel (x5)</p>	<p><b>F</b></p>  <p>Roll Rest (x5)</p>
<p><b>G</b></p>  <p>Vertical Pole (x5)</p>	<p><b>H</b></p>  <p>Cutter Blade (x5)</p>	<p><b>I</b></p>  <p>Paper Roll Rod (x5)</p>
<p><b>J</b></p>  <p>Bottom Bracket (x5)</p>		

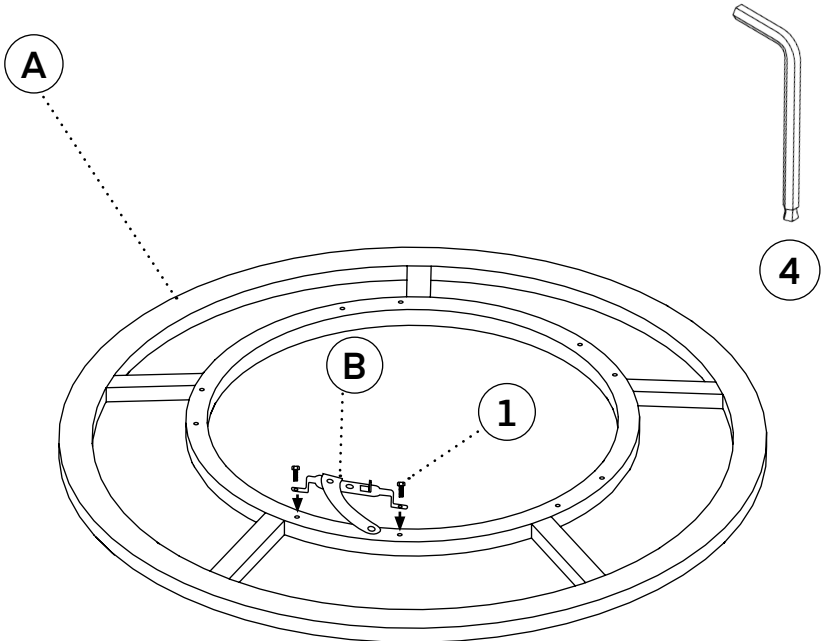
# Hardware

<p><b>1</b></p>  <p>Screw (M6*10) (x25)</p>	<p><b>2</b></p>  <p>8 mm Allen Key</p>
<p><b>3</b></p>  <p>M6 Capped Screw Nut (x10)</p>	<p><b>4</b></p>  <p>6 mm Allen Key</p>
<p><b>5</b></p>  <p>Screw (M6*35) (x10)</p>	<p><b>6</b></p>  <p>8 mm Wrench</p>
<p><b>7</b></p>  <p>6 mm Wrench</p>	<p><b>8</b></p>  <p>M8 Capped Screw Nut (x10)</p>
<p><b>9</b></p>  <p>Screw (M8*80) (x5)</p>	

# Assembly Instructions

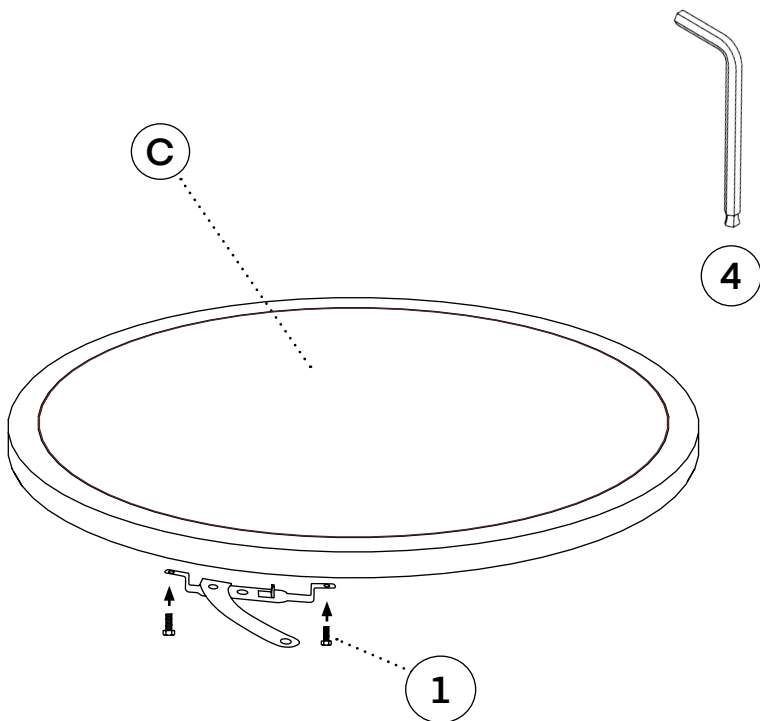
## Step 1:

- A. Locate Bottom Frame (A) and place it on a flat, clean surface.
- B. Take one of the Bottom Spring Arms (B) and attach it to the Bottom Frame (A) with two Screws (M6\*10) (1).
  - a. Use the 6 mm Allen Key (4) that was included to secure the screw in place
- C. Repeat this for the other four Bottom Spring Arms (B).



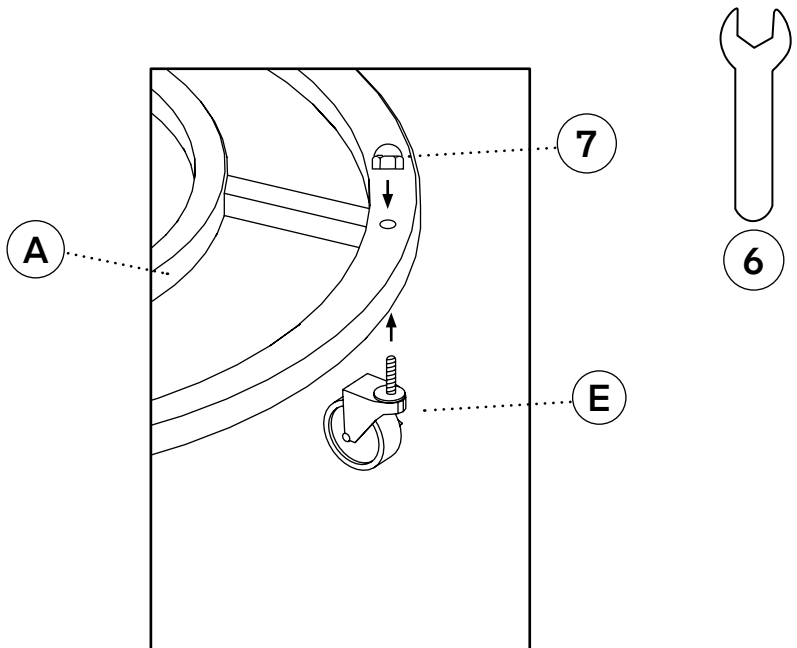
## Step 2:

- A. Locate the Top Frame (C) and a Top Spring Arm (D).
- B. Attach one of the Top Spring Arm's (D) to the Top Frame (C) with two Screws (M6\*10) (1).
  - a. Use the 6 mm Allen Key (4) that was included to secure the screws in place.
- D. Repeat this for the other four Top Spring Arms (D).



### Step 3:

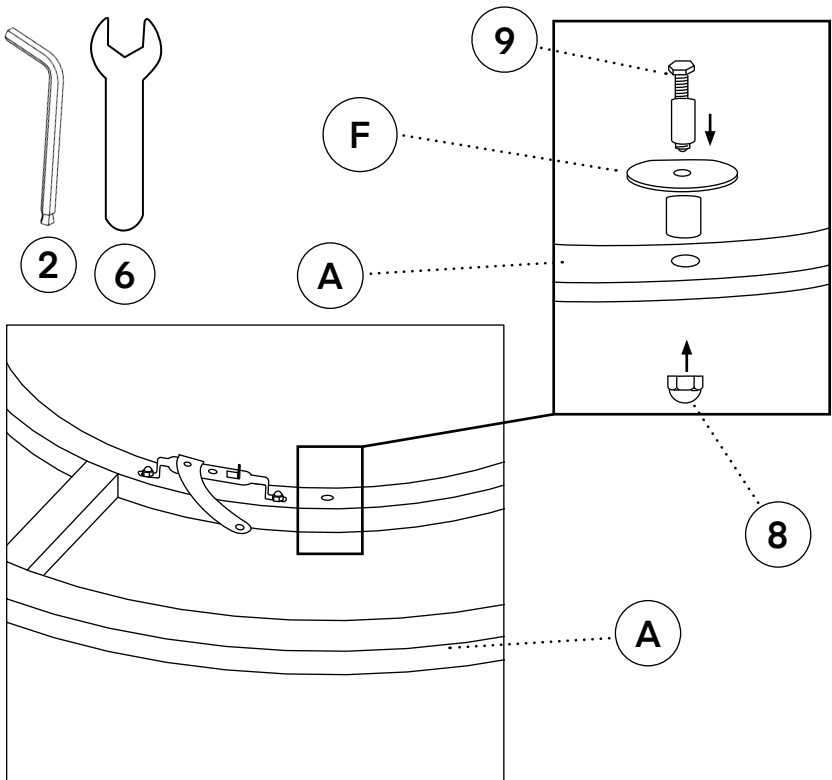
- A. Locate the Caster Wheels (E), and these will be affixed to the Bottom Frame (A).
- B. Take one of the wheels and insert it into the predrilled hole located on the outer ring of the Bottom Frame, as pictured.
- C. Affix it using M8 Screw Nut (7); secure it in place with the included 8 mm Wrench (6).
- D. Repeat these steps for the remaining Caster Wheels (E).





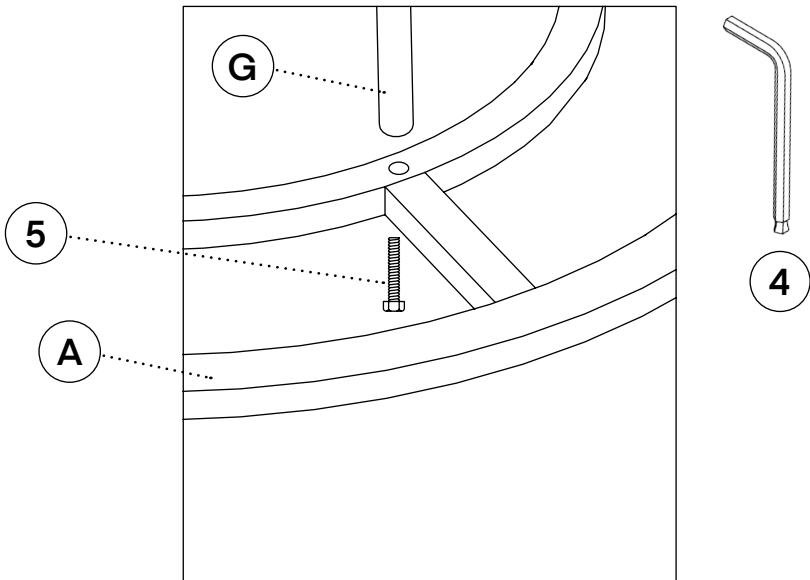
## Step 4:

- A.** Locate a Roll Rest (F) and place it on the inner ring of the Bottom Frame, as pictured.
- a.** Each Roll Rest (F) will go between where each Vertical Pole (G) will be installed.
- B.** Affix it to the frame using a Screw (M8\*80) (9), and a M8 Capped Screw Nut (8).
- a.** Use the included 8 mm Allen Key (2) to hold onto the Screw (9) while using the 8 mm Wrench (6) to fasten the M8 Capped Screw Nut (8).
- C.** Repeat this step for the remaining four Roll Rests (F).



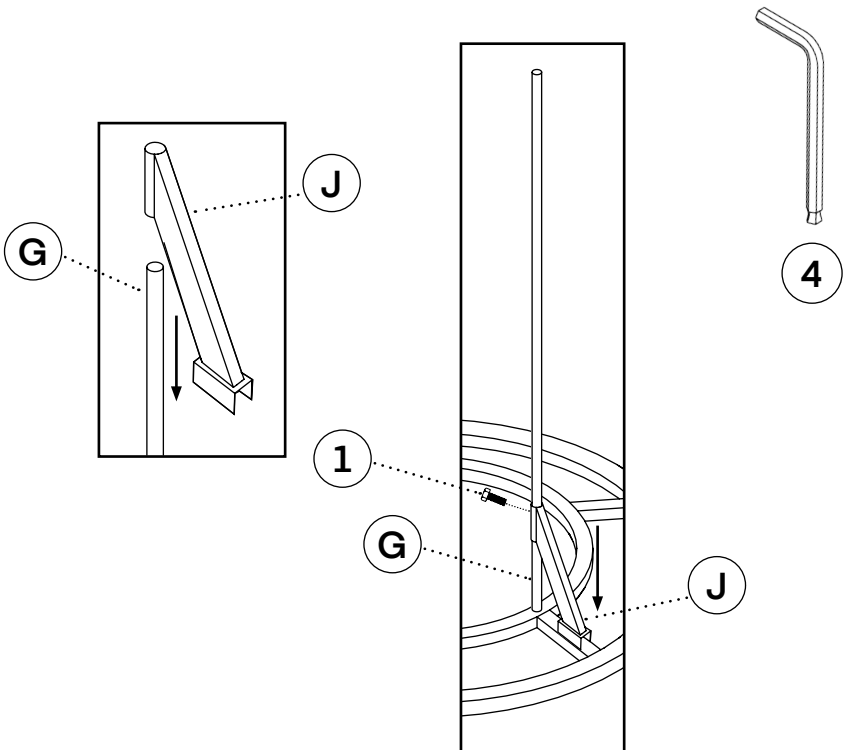
## Step 5:

- A. Locate a Vertical Pole (G): this will be installed in one of the predrilled holes on the inner ring, adjacent to the crossbar connecting the outer ring.
- B. Affix the Vertical Pole (G) with a Screw (M6\*35) (5) using the included 6 mm Allen Key (4).
- C. Repeat this step for the remaining four Vertical Poles (G).



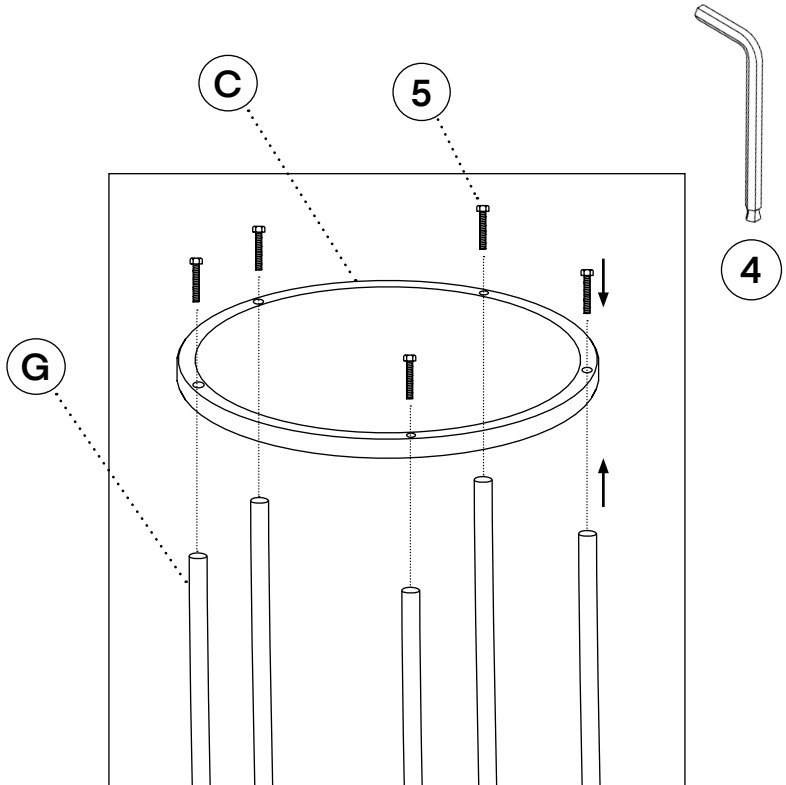
## Step 6:

- A. Take a Bottom Bracket (J) and slide it down the Vertical Pole (G).
- B. The horizontal piece of the Bottom Bracket (J) should be facing out towards the outer ring.
- C. Push down firmly so that it is secure on the crossbar and tighten the screw on the bracket.
- D. Insert a Screw (M6\*10) (1) in to the back of the Bottom Bracket (J) to secure it to the Vertical Pole (G).
  - a. Secure the screw in place using the 6 mm Allen Key (4).
  - b. Repeat the above steps for the remaining Bottom Bracket's (J).



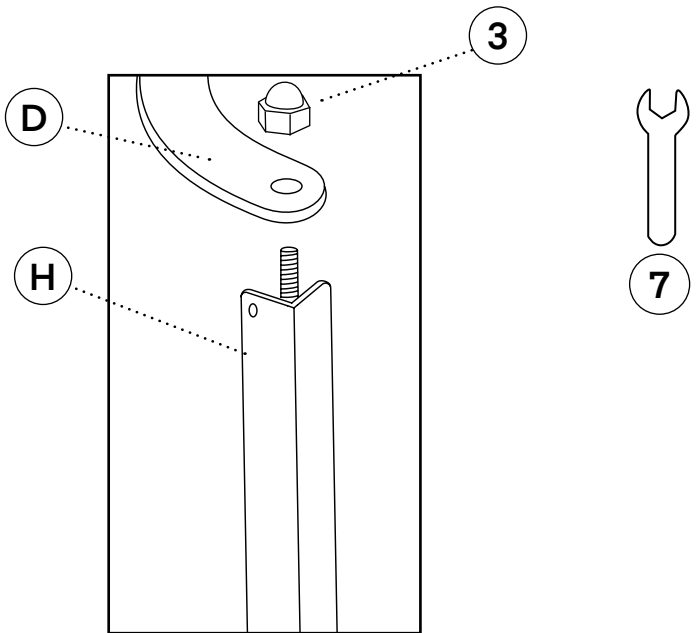
## Step 7:

- A. Take the Top Frame (C) and place it on top of the Vertical Poles (G).
- B. Affix the Vertical Poles (G) to the Top Frame, aligning them with the smaller predrilled holes.
- C. Using five Screws (M6\*35) (5), secure them in place with a 6 mm Allen Key (4).



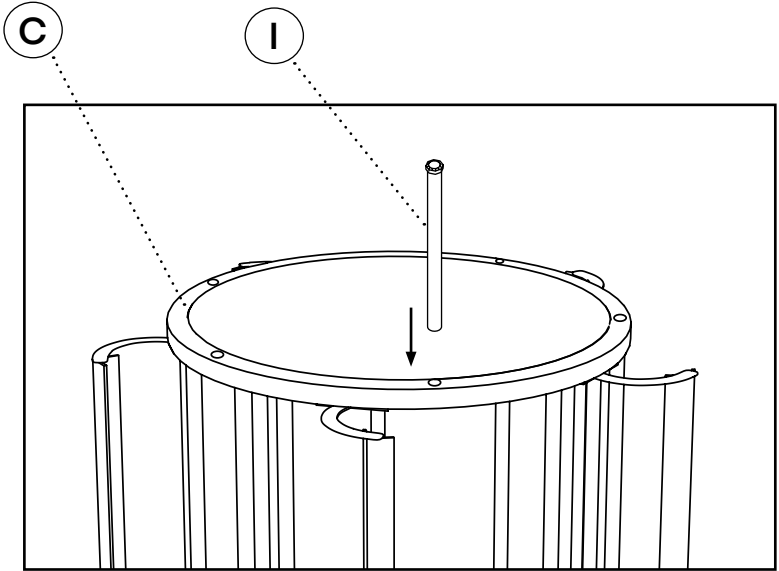
## Step 8:

- A. Handling with care, take a Cutter Blade (H), and attach it to the Top Spring Arm (D) and Bottom Spring Arm (B), as pictured.
- B. Secure it in place with an M6 Capped Screw Nut (3), and utilize the 6 mm Wrench (7) to tighten the nut.
- C. Repeat this step for the remaining four Cutter Blades (H).
- D. Repeat this step at the bottom end also to ensure both the top and bottom have the screws to affix the blade.



### Step 9:

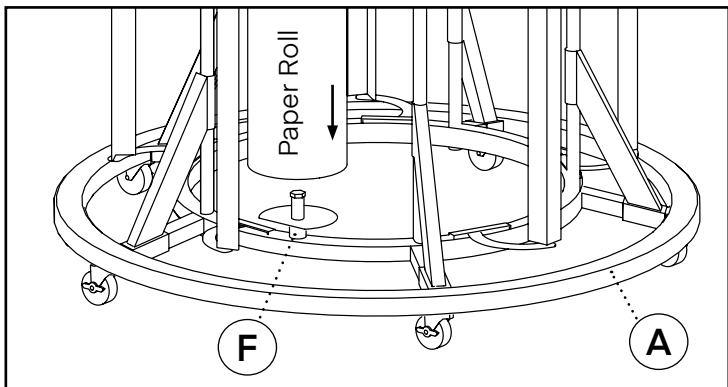
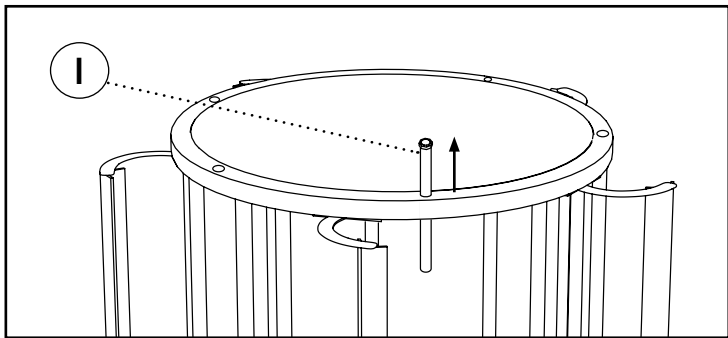
- A. Insert the five Paper Roll Rods (I) into the Top Frame (C), as pictured.
- B. Your Paper Roll Dispenser is now ready to be used.



# Loading Paper

## Step 1:

- A.** Remove one of the Paper Roll Rods (I) and position your paper roll on top of the Roll Rest (F) located on the Bottom Frame (A).
- B.** The hole in the paper roll should be placed on top of the short, upright spindle located on the Roll Rest (F).
  - a.** This will anchor and position your roll for cutting.



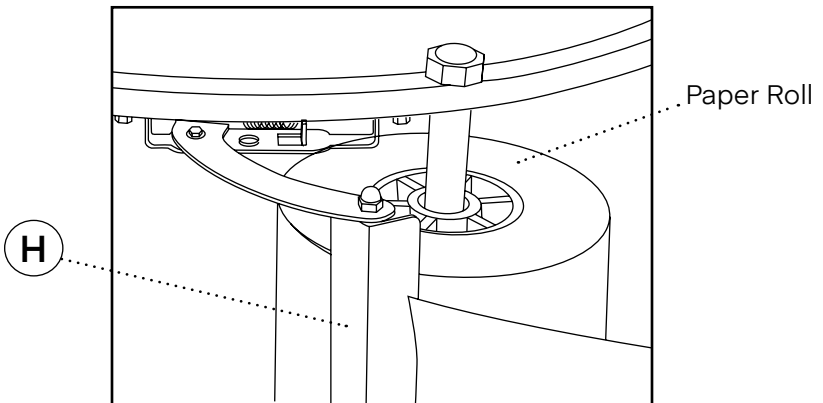
## Step 2:

- A. Insert the Paper Roll Rod (I) through the Top Frame (C) and into the top end of the paper roll.
- B. If needed, repeat the above steps for the remaining Paper Roll Rods (I).

# Cutting Paper

## Step 1:

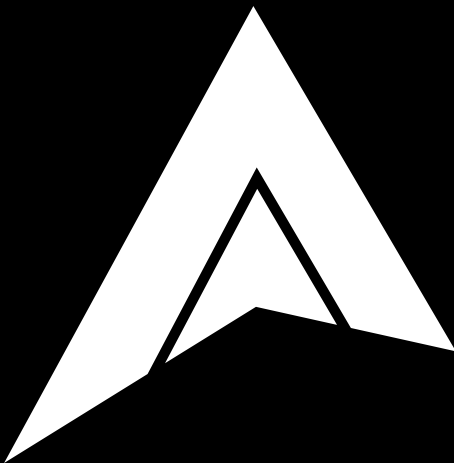
- A. To cut your paper roll, ensure the Cutter Blade (H) is positioned so that both points of the V-shaped blade make contact with the roll.
  - a. If needed, you can swivel the blade into position.
- B. Start from the bottom, for newer paper rolls, and pull up for a nice, clean cut.
  - a. For less full paper rolls, you can start from the top and pull down to achieve a clean slice.





# Warranty

1. Adir Corp (the "Company" or "Tiger Companies") warrants to the purchaser that the product will be free from defects in workmanship and materials for a period of 1 year from the date of purchase. The warranty period is not extended if we repair, replace, exchange, or provide a refund for the product (as determined in our sole discretion). We may change the availability of this limited warranty at our discretion, but any changes will not be retroactive.
2. These warranties are not assignable or transferable to any other person, including, without limitation, any subsequent owner or other transferee of the product.
3. This Warranty does not apply to: (a) damage caused by misuse, tampering, abuse, neglect, or accident; (b) damage caused by improper installation, modification, or service; (c) alteration of the serial number; or (d) use that violates the instructions furnished by the Company will void this warranty.
4. The sole responsibility of the Company shall be limited to (a) the repair or replacement (in its sole discretion) of any component of the product which fails to conform to this; (b) a refund the purchase price of such product (in its sole discretion), at no cost to the purchaser for the period of the warranty, or (c) an exchange for a similar product, comparable in function and price.
5. Contact the Company directly at 1-(800)-805-1790 to obtain service under this warranty. If it becomes applicable to send a defective product to the Company, a Return Authorization Number must first be obtained from the Company. In order to obtain service under this warranty, purchaser may be required to provide the Company with the following items (a) proof of purchase, (b) photographs and or videos (of the damage, and (c) a written testimonial describing the defect.
6. Products shipped without prior Return Authorization and Return Authorization Number may not be accepted, and the Company will not be responsible for their disposition and/or cost of return to the owner.
7. The Company will not assume any responsibility for any loss or damage incurred in shipping and or delivery.
8. The product(s) must be returned within 14 calendar days of receiving the return authorization from the Company and must include the original proof of purchase for the warranty to be honored.
9. Any implied warranties that the purchaser may have are limited to the duration of the warranties described above. There are no further warranties that extend or apply beyond the face hereof, and the Company expressly disclaims and excludes any and all warranties of merchantability or fitness for a particular purpose. Some states do not allow limitations on how long an implied warranty lasts, so the above limitation may not apply to you.
10. THE REMEDIES DESCRIBED ABOVE ARE YOUR SOLE AND EXCLUSIVE REMEDIES AND THE COMPANY'S ENTIRE LIABILITY FOR ANY BREACH OF THIS LIMITED WARRANTY. OUR LIABILITY SHALL UNDER NO CIRCUMSTANCES EXCEED THE ACTUAL AMOUNT PAID BY YOU FOR THE DEFECTIVE PRODUCT, NOR SHALL WE UNDER ANY CIRCUMSTANCES BE LIABLE FOR ANY CONSEQUENTIAL, INCIDENTAL, SPECIAL OR PUNITIVE DAMAGES OR LOSSES, WHETHER DIRECT OR INDIRECT. SOME STATES DO NOT ALLOW THE EXCLUSION OR LIMITATIONS OF INCIDENTAL OR CONSEQUENTIAL DAMAGES, SO THE LIMITATION MAY NOT APPLY TO YOU.
11. This warranty gives you specific legal rights, and you may also have additional rights which vary from state to state.



**ADIKI300-01-SERIES**

© 2023 AdirCorp

**[adircorp.com](http://adircorp.com)**