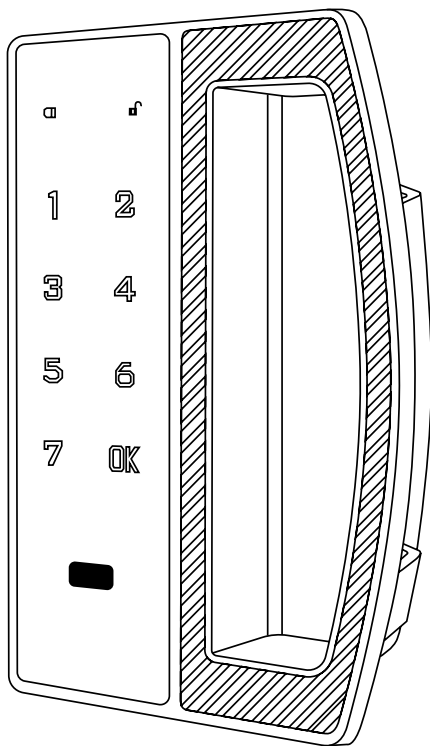


.....

# AUTOMATIC DOOR LOCK

.....



## **USER GUIDE**

ADI629-DL



# Thank you for your purchase.

.....

**AdirOffice maintains a  
strong practice of ongoing  
development of products  
and commercial research.**

.....

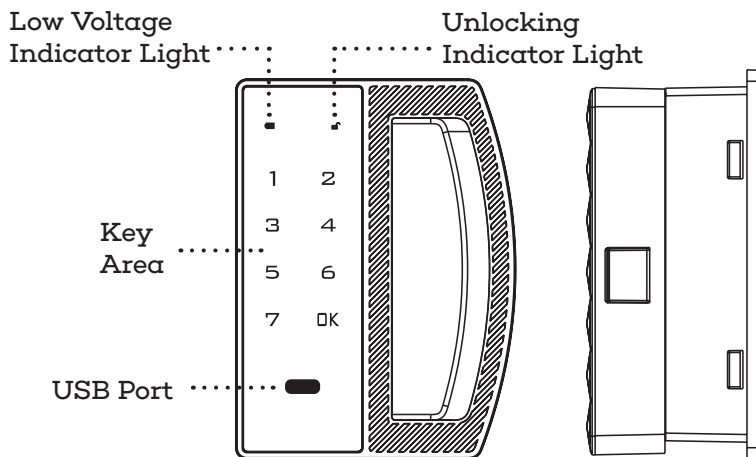
We understand starting and maintaining a business is expensive enough. We can help you make it cost effective and beautiful. Plus, our expert team makes sure everything you need works as efficiently as possible.

# Table of Contents

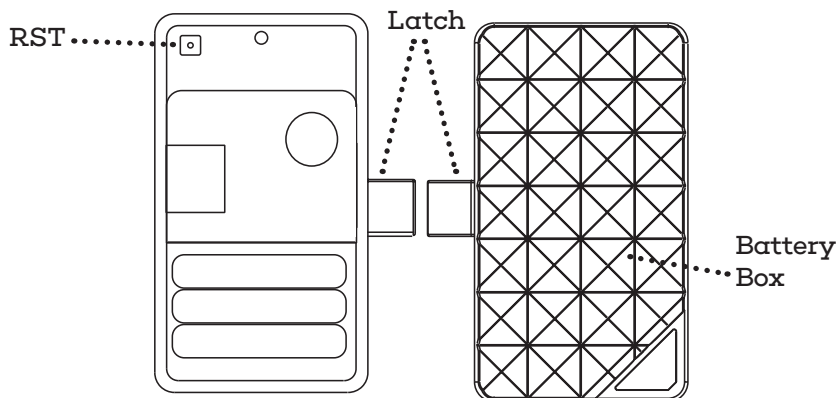
- 2** Parts List
- 3** How To Operate
- 4** How to Set Password
- 5** Public Mode
- 7** Features
- 8** Fixing Hole Size
- 9** Installation
- 10** Warranty
- 11** Notes

# Parts List

## Touch Panel



## Lock Body



# How To Operate

- A.** The lock comes with a default factory user password (1234) and a factory administrator password (4321). The administrator password takes precedence over the user password in terms of permissions.
- B.** This lock offers two usage modes: private and public, with the default setting being private mode.
- C.** Power-saving feature: If no buttons are pressed, the lock will automatically exit after 8 seconds and enter power-saving mode.

## **Lock and Unlock**

### **Unlock**

- A.** Enter the correct password and press "OK" to confirm. You'll hear a prolonged "beep" sound, and the green light will illuminate.
- B.** The latch automatically withdraws, and the door opens within 5 seconds.

### **Lock**

- A.** The latch will extend automatically after 5 seconds.

### **Note:**

- Password error: Three consecutive beeps signal an incorrect password entry.
- After successfully unlocking with the administrator password, the user password is reset to the default factory setting: 1234.
- If the buzzer emits three beeps and the lock displays a corresponding signal, it indicates low voltage.

# How To Set Password

## **Change Password**

For example, user password is changed to 123123.

- A.** Enter the factory user password "1234" followed by "OK," and after a prolonged beep, the green light will come on.
- B.** Hold down the "OK" button for at least 2 seconds until the green indicator light flashes.
- C.** Input the new password "123123" followed by "OK," and after a long beep, the new password is successfully updated.

### **Note:**

- Follow these steps to change both the user and administrator passwords.
- Choose a password with 4 to 15 characters. Ensure that the administrator password differs from the user password.
- Once the new password is set, the old password becomes invalid. Please remember and secure your new password to avoid loss.

# Public Mode

## **Turn On Public Mode**

- A.** Input administrator password + "OK," buzzer gives out a long beep sound, the green light is on.
- B.** Long press "OK" at least 2s, until buzzer gives out a long beep sound with the green light flash, press "OK" green light flash slowly.
- C.** Input "4 4"+ "OK" , when you hear a long beep sound, means public mode already been turned on.

### **Note:**

- The administrator password must be used for this setting. The user password cannot be used.
- In public mode, enter the administrator password to clear the temporary password and unlock it. Keep the administrator password safe.

## **Set A Temporary Password (Only In Public Mode)**

- A.** Press "OK", input a password of 4~15 characters and press "OK" to confirm. After a long "beep" sound, the temporary password is successfully set.

### **Note:**

- Temporary password is valid once and automatically invalid after use.
- After the temporary password is set, the green light flashes every 3 seconds.

# Public Mode

## **Turn Off Public Mode**

- A.** Enter the administrator password followed by "OK"; the buzzer emits a prolonged "beep" sound, and the green light turns on.
- B.** Press and hold "OK" for at least 2 seconds until the buzzer produces a long "beep" sound, accompanied by the green light flashing slowly. Press "OK" again, and the green light will flash slowly.
- C.** Input "4 3" followed by "OK"; when you hear a long "beep" sound, it indicates that public mode has been turned off.

## **Turn On/Off Fake Pin Code Function**

- A.** Enter the administrator password followed by "OK"; the buzzer emits a prolonged "beep" sound, and the green light turns on.
- B.** Press and hold "OK" for at least 2 seconds until the buzzer produces a long "beep" sound, accompanied by the green light flashing slowly. Press "OK" again, and the green light will flash slowly.
- C.** Input "4 2" followed by "OK"; when you hear a long "beep" sound, it means the Fake Pin code function has been activated.
- D.** Input "4 1" followed by "OK"; when you hear a long "beep" sound, it means the Fake Pin code function has been deactivated.

### **Note:**

- You can use a password of up to 15 characters, and if one of the consecutive passwords matches the set password, the authentication passes.
- When the fake pin code function is enabled, you can input garbled characters before and after the correct password to conceal the real password, preventing unauthorized access.



# Features

## **Decode**

- A. If you forget your password, contact our customer service with the serial number of the digital lock, located on the top edge of the lock, for the decoding number. The password will reset to the factory settings: administrator password "4321" and user password "1234."
- B. Use the dedicated USB Port (Type-C cable available for purchase from retail stores) to clear the code and unlock without restoring the mode (public and private).

## **Restore Factory Settings**

- A. Press and hold the "RST" button located on the back of the lock body, then briefly press the "RST" button to release it. You will have to remove the battery lock cover to access it. This clears the code and unlocks, restoring the password to factory settings without affecting the mode (public and private).

## **Password Error Alarm**

- A. An auto-alarm triggers after entering the wrong password four times, rendering the lock inactive for 60 seconds.

## **Low Voltage**

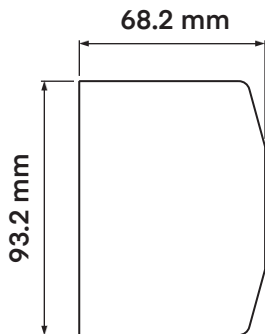
- A. If the voltage is too low, connect the USB port to an external power supply to ensure the lock functions properly.

## **Battery Undervoltage Warning**

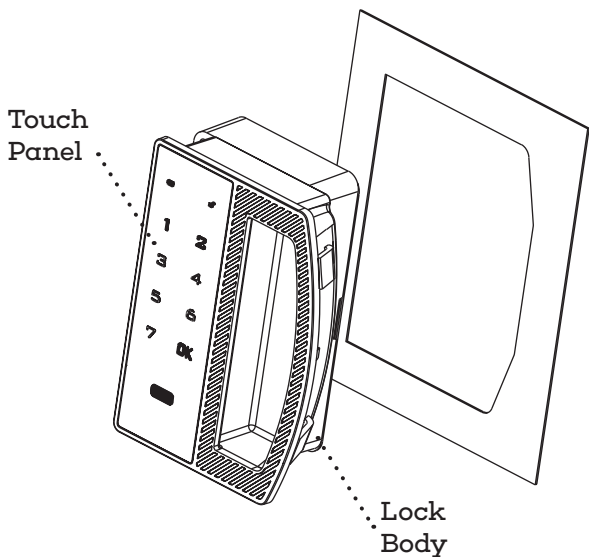
- A. The red light activates when the keyboard keys are pressed. After entering the correct password, you'll hear three short beeps, indicating successful unlocking. The lock operates in a low voltage state at this point, so promptly replace the batteries.

(Note: Extremely low battery voltage may prevent the electronic lock from unlocking.)

# Fixing Hole Size



# Installation

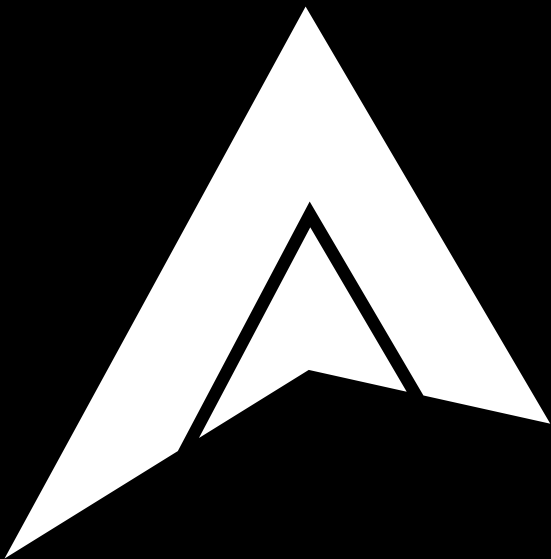


# Warranty

1. Adir Corp (the "Company" or "Tiger Companies") warrants to the purchaser that the product will be free from defects in workmanship and materials for a period of 1 year from the date of purchase. The warranty period is not extended if we repair, replace, exchange, or provide a refund for the product (as determined in our sole discretion). We may change the availability of this limited warranty at our discretion, but any changes will not be retroactive.
2. These warranties are not assignable or transferable to any other person, including, without limitation, any subsequent owner or other transferee of the product.
3. This Warranty does not apply to: (a) damage caused by misuse, tampering, abuse, neglect, or accident; (b) damage caused by improper installation, modification, or service; (c) alteration of the serial number; or (d) use that violates the instructions furnished by the Company will void this warranty.
4. The sole responsibility of the Company shall be limited to (a) the repair or replacement (in its sole discretion) of any component of the product which fails to conform to this; (b) a refund the purchase price of such product (in its sole discretion), at no cost to the purchaser for the period of the warranty, or (c) an exchange for a similar product, comparable in function and price.
5. Contact the Company directly at 1-(800)-805-1790 to obtain service under this warranty. If it becomes applicable to send a defective product to the Company, a Return Authorization Number must first be obtained from the Company. In order to obtain service under this warranty, purchaser may be required to provide the Company with the following items (a) proof of purchase, (b) photographs and or videos (of the damage, and (c) a written testimonial describing the defect.
6. Products shipped without prior Return Authorization and Return Authorization Number may not be accepted, and the Company will not be responsible for their disposition and/or cost of return to the owner.
7. The Company will not assume any responsibility for any loss or damage incurred in shipping and or delivery.
8. The product(s) must be returned within 14 calendar days of receiving the return authorization from the Company and must include the original proof of purchase for the warranty to be honored.
9. Any implied warranties that the purchaser may have are limited to the duration of the warranties described above. There are no further warranties that extend or apply beyond the face hereof, and the Company expressly disclaims and excludes any and all warranties of merchantability or fitness for a particular purpose. Some states do not allow limitations on how long an implied warranty lasts, so the above limitation may not apply to you.
10. THE REMEDIES DESCRIBED ABOVE ARE YOUR SOLE AND EXCLUSIVE REMEDIES AND THE COMPANY'S ENTIRE LIABILITY FOR ANY BREACH OF THIS LIMITED WARRANTY. OUR LIABILITY SHALL UNDER NO CIRCUMSTANCES EXCEED THE ACTUAL AMOUNT PAID BY YOU FOR THE DEFECTIVE PRODUCT, NOR SHALL WE UNDER ANY CIRCUMSTANCES BE LIABLE FOR ANY CONSEQUENTIAL, INCIDENTAL, SPECIAL OR PUNITIVE DAMAGES OR LOSSES, WHETHER DIRECT OR INDIRECT. SOME STATES DO NOT ALLOW THE EXCLUSION OR LIMITATIONS OF INCIDENTAL OR CONSEQUENTIAL DAMAGES, SO THE LIMITATION MAY NOT APPLY TO YOU.
11. This warranty gives you specific legal rights, and you may also have additional rights which vary from state to state.







**ADI629-DL**

© 2024 Adir Corp

**adircorp.com**