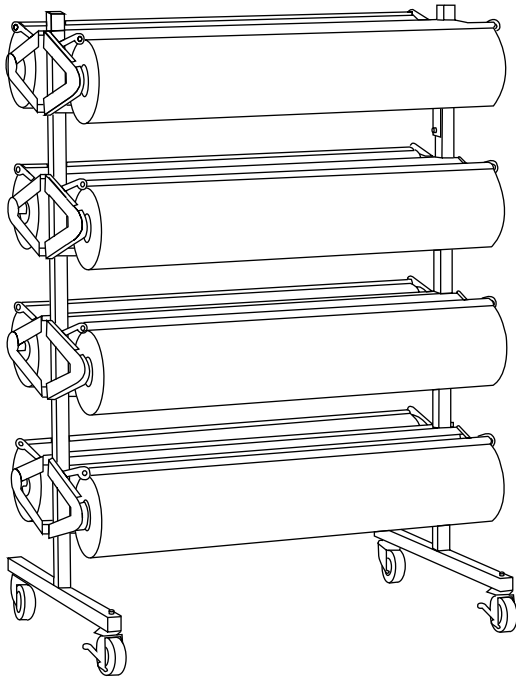


.....

ART PAPER ROLL DISPENSER

.....



USER GUIDE
ADIKI300-02



Thank you for your purchase.



**Adir Corp maintains a
strong practice of ongoing
development of products
and commercial research.**

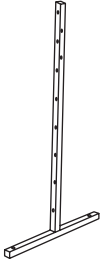
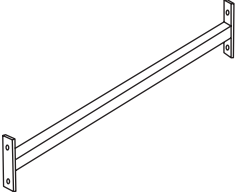

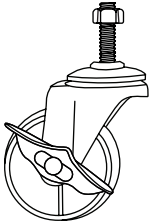
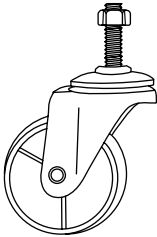
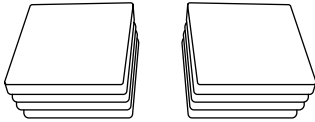


**We understand starting and maintaining a business is expensive
enough. We can help you make it cost effective and beautiful.
Plus, our expert team makes sure everything you need works as
efficiently as possible.**

Table of Contents

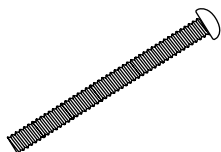
- 2 Parts List
- 3 Hardware List
- 5 Upright Assembly
- 6 Cutter Assembly
- 7 Final Assembly
- 8 To Load Paper Rolls
- 9 Warranty

Parts List

<p>A</p>  <p>T-shaped Uprights (x2)</p>	<p>B</p>  <p>Support Bar</p>
<p>C</p>  <p>Cutter Frames (x8)</p>	<p>D</p>  <p>Locking Casters (x2)</p>
<p>E</p>  <p>Caster Wheels (x2)</p>	<p>F</p>  <p>Plastic Guards (x6)</p>

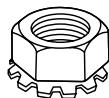
Hardware List

1



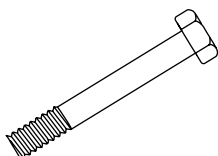
Bolt 1: M5*50mm (x16)

2



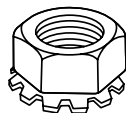
Nut 1: M5 (x16)

3



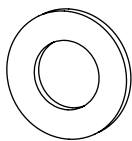
Bolt 2: M6*50mm (x4)

4



Nut 2: M6 (x4)

5



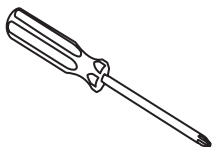
Washers (x20)

6



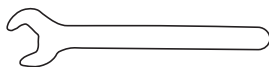
Nut 3: M12 (x4)
(For The Wheels)

7



Philips Head
Screwdriver

8



Wrench 1 (For M5)

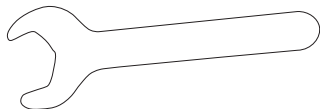
Hardware List (Continued)

9



Wrench 2 (For M6)

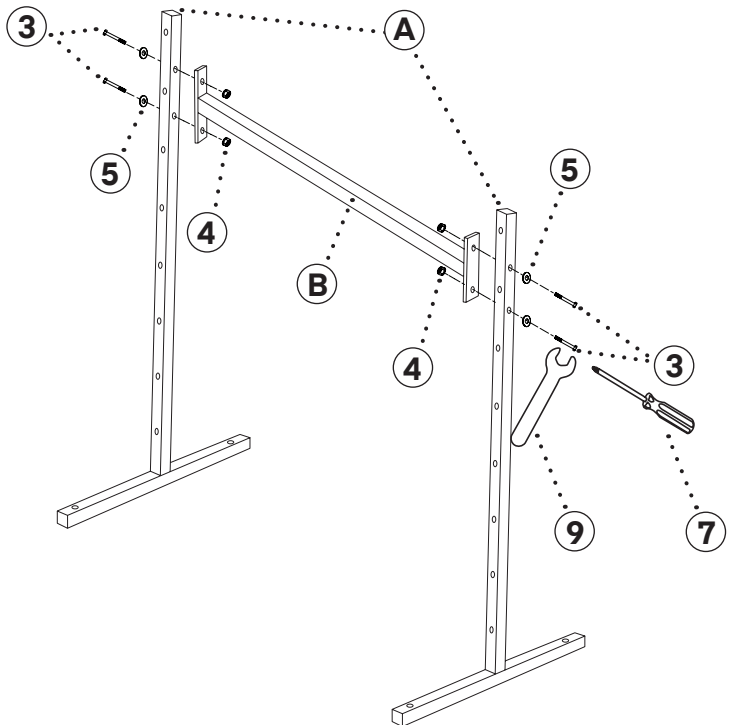
10



Wrench 3 (For M12)

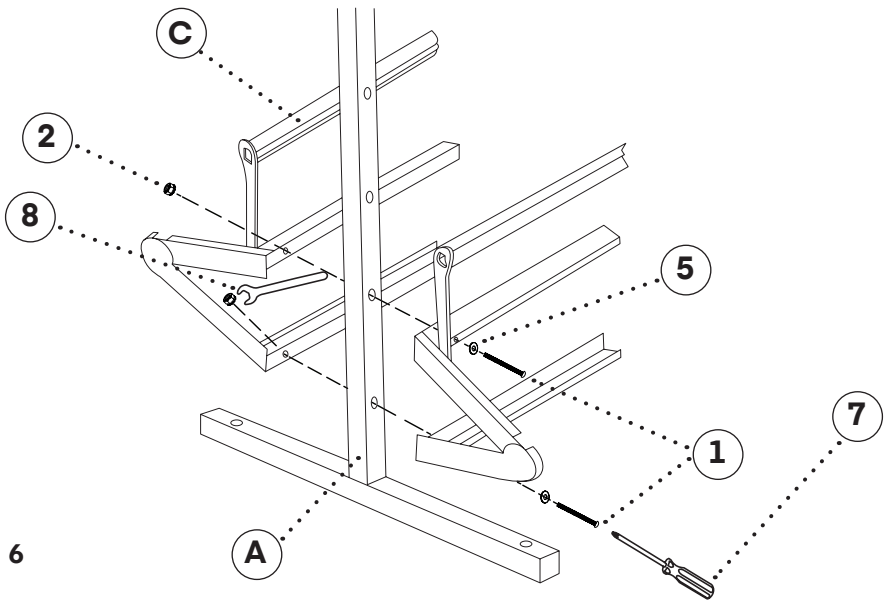
Upright Assembly

- A.** Before assembly, you will need two people to help ensure the process's ease.
- B.** Locate and prop up the two T-shaped Upright's (A) and then locate and place the Support Bar (B) between the T-shaped Upright's (A).
- C.** Secure the Support Bar (B) to the T-Shaped Uprights (A) by threading four Bolt 2's (3) with four Washers (5) and Nut 2's (4) through the T-Shaped Uprights (A) and into the Support Bar (B).
- D.** Secure them in place using the Wrench 2 (9) and the Philips Head Screwdriver (7).



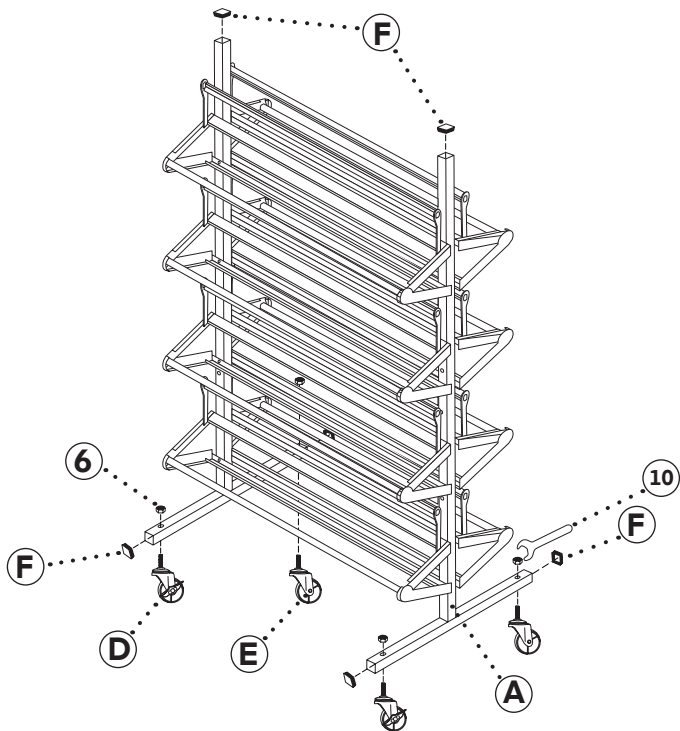
Cutter Assembly

- A.** Locate all eight Cutter Frames (C), sixteen Bolt 1's (1), Nut 1's (2), Washers (5), and an Allen Key (7).
- B.** Take two Cutter Frames (C), placing one on each side of the T-shaped Uprights (A), and align the predrilled holes in the uprights with the predrilled holes on the Cutter Frames (C).
 - a.** Raise the blades on all of the Cutter Frames (C).
- B.** Thread a Washer (5) onto each Bolt 1 (1) and then thread four Bolt 1's (1), two per side, through the Cutter Frame (C), into the T-Shaped Uprights (A), and then into the second Cutter Frame (C).
- C.** Secure a Nut 1 (2) onto each end of the Bolt 1's (1) installed.
 - a.** Do not overtighten the nuts.
- D.** Repeat this with the remaining six Cutter Frames (C).
- E.** Secure all Bolt 1's (1) using the Philips Head Screwdriver (7) and Wrench 1 (8).
- a.** Lower the blades on all of the Cutter Frames (C).



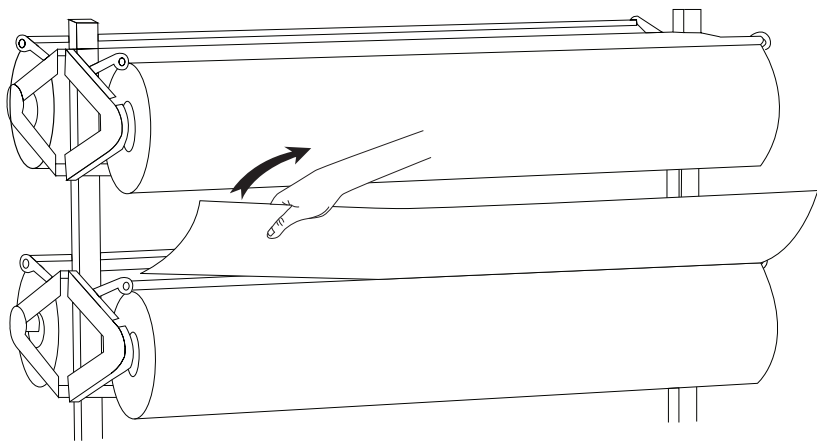
Final Assembly

- A.** Lift the assembled structure you made in the previous step.
- B.** Insert, on one side, two Casters (E) into the T-Shaped Uprights (A).
- C.** Insert both of the Locking Casters (D), on the other side of the T-Shaped Uprights (A)
- D.** Thread a Nut 3 (6) onto one of the wheels you installed and secure it in place using the Wrench 3 (10).
 - a.** Repeat this step for the remaining three wheels.
- E.** Insert two Plastic Guards (F) on the tops of the T-shaped Uprights (A), as pictured, and push them into place.
- F.** Insert four Plastic Guards (F) on the bottoms of the T-Shaped Uprights (A), as pictured, and push them into place.



To Load Paper Rolls

- A.** Starting with the bottom cutters, lift the blades on the Cutter Frames (C) until they lock in a vertical position.
- B.** Utilizing two people, insert the metal paper roll bar into the core of your paper roll and insert it between the Cutter Frame (C).
 - a. Orient the roll so the paper is rolling towards you.
- C.** Pull the blade down against the paper roll.
- D.** Repeat the above steps for the remaining Cutter Frames (C).
- E.** To test the paper roll, tear the paper with a quick and steady diagonal, ensuring you pull upwards from one side to the other.



Warranty

1. Adir Corp (the "Company" or "Tiger Companies") warrants to the purchaser that the product will be free from defects in workmanship and materials for a period of 1 year from the date of purchase. The warranty period is not extended if we repair, replace, exchange, or provide a refund for the product (as determined in our sole discretion). We may change the availability of this limited warranty at our discretion, but any changes will not be retroactive.
2. These warranties are not assignable or transferable to any other person, including, without limitation, any subsequent owner or other transferee of the product.
3. This Warranty does not apply to: (a) damage caused by misuse, tampering, abuse, neglect, or accident; (b) damage caused by improper installation, modification, or service; (c) alteration of the serial number; or (d) use that violates the instructions furnished by the Company will void this warranty.
4. The sole responsibility of the Company shall be limited to (a) the repair or replacement (in its sole discretion) of any component of the product which fails to conform to this; (b) a refund the purchase price of such product (in its sole discretion), at no cost to the purchaser for the period of the warranty, or (c) an exchange for a similar product, comparable in function and price.
5. Contact the Company directly at 1-(800)-805-1790 to obtain service under this warranty. If it becomes applicable to send a defective product to the Company, a Return Authorization Number must first be obtained from the Company. In order to obtain service under this warranty, purchaser may be required to provide the Company with the following items (a) proof of purchase, (b) photographs and or videos (of the damage, and (c) a written testimonial describing the defect.
6. Products shipped without prior Return Authorization and Return Authorization Number may not be accepted, and the Company will not be responsible for their disposition and/or cost of return to the owner.
7. The Company will not assume any responsibility for any loss or damage incurred in shipping and or delivery.
8. The product(s) must be returned within 14 calendar days of receiving the return authorization from the Company and must include the original proof of purchase for the warranty to be honored.
9. Any implied warranties that the purchaser may have are limited to the duration of the warranties described above. There are no further warranties that extend or apply beyond the face hereof, and the Company expressly disclaims and excludes any and all warranties of merchantability or fitness for a particular purpose. Some states do not allow limitations on how long an implied warranty lasts, so the above limitation may not apply to you.
10. THE REMEDIES DESCRIBED ABOVE ARE YOUR SOLE AND EXCLUSIVE REMEDIES AND THE COMPANY'S ENTIRE LIABILITY FOR ANY BREACH OF THIS LIMITED WARRANTY. OUR LIABILITY SHALL UNDER NO CIRCUMSTANCES EXCEED THE ACTUAL AMOUNT PAID BY YOU FOR THE DEFECTIVE PRODUCT, NOR SHALL WE UNDER ANY CIRCUMSTANCES BE LIABLE FOR ANY CONSEQUENTIAL, INCIDENTAL, SPECIAL OR PUNITIVE DAMAGES OR LOSSES, WHETHER DIRECT OR INDIRECT. SOME STATES DO NOT ALLOW THE EXCLUSION OR LIMITATIONS OF INCIDENTAL OR CONSEQUENTIAL DAMAGES, SO THE LIMITATION MAY NOT APPLY TO YOU.
11. This warranty gives you specific legal rights, and you may also have additional rights which vary from state to state.



ADIKI300-02

© 2024 Adir Corp

adircorp.com