

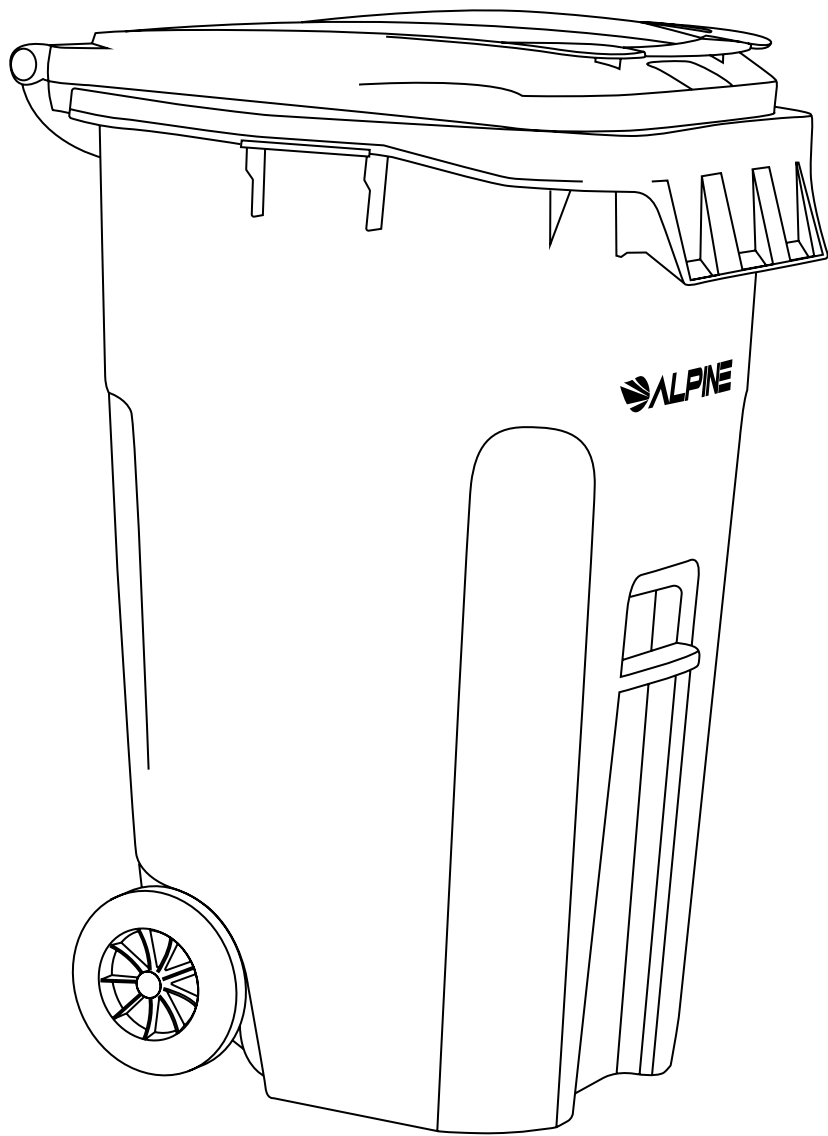


.....

# 64 GALLON SQUARE

## WASTE CONTAINER

.....



### **USER GUIDE**

ALP500-64-SERIES



# Thank you for your purchase.



**Alpine maintains a strong  
practice of ongoing  
development of products and  
commercial research.**

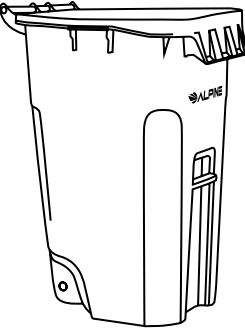
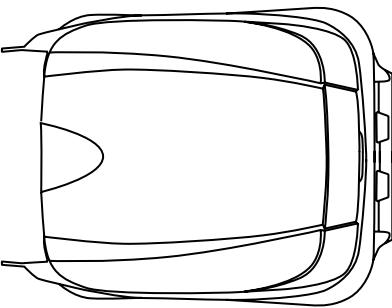
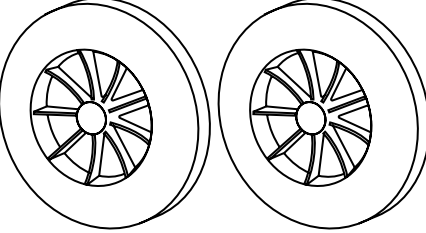


Combining commitment to the customer, design innovation and skilled, dedicated workforces, they have produced a range of products that are an essential part of every commercial facility. Every product is designed to the highest standards, enabling you to get your requirements done in a reliable and cost-effective way.

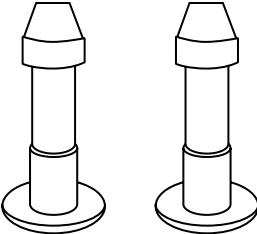
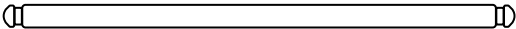
# Table of Contents

- 2 Parts List
- 3 Hardware List
- 4 Assembly Instructions
- 6 Cleaning Instructions
- 7 Warranty

# Parts List

<b>A</b>	 <p>Trash Can</p>
<b>B</b>	 <p>Lid</p>
<b>C</b>	 <p>Wheel (x2)</p>

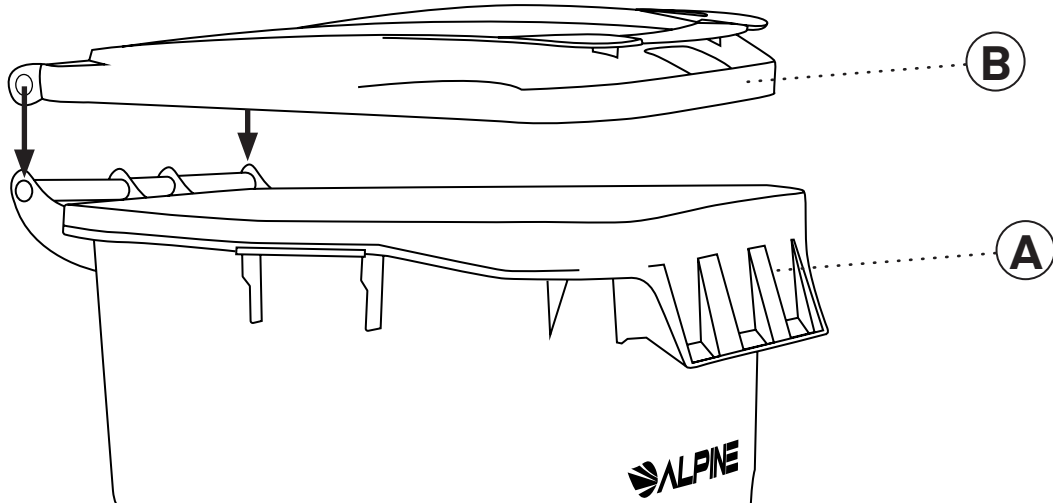
# Hardware List

<b>1</b>	 <p>Pin (x2)</p>
<b>2</b>	 <p>Axle</p>

# Assembly Instructions

## Step 1:

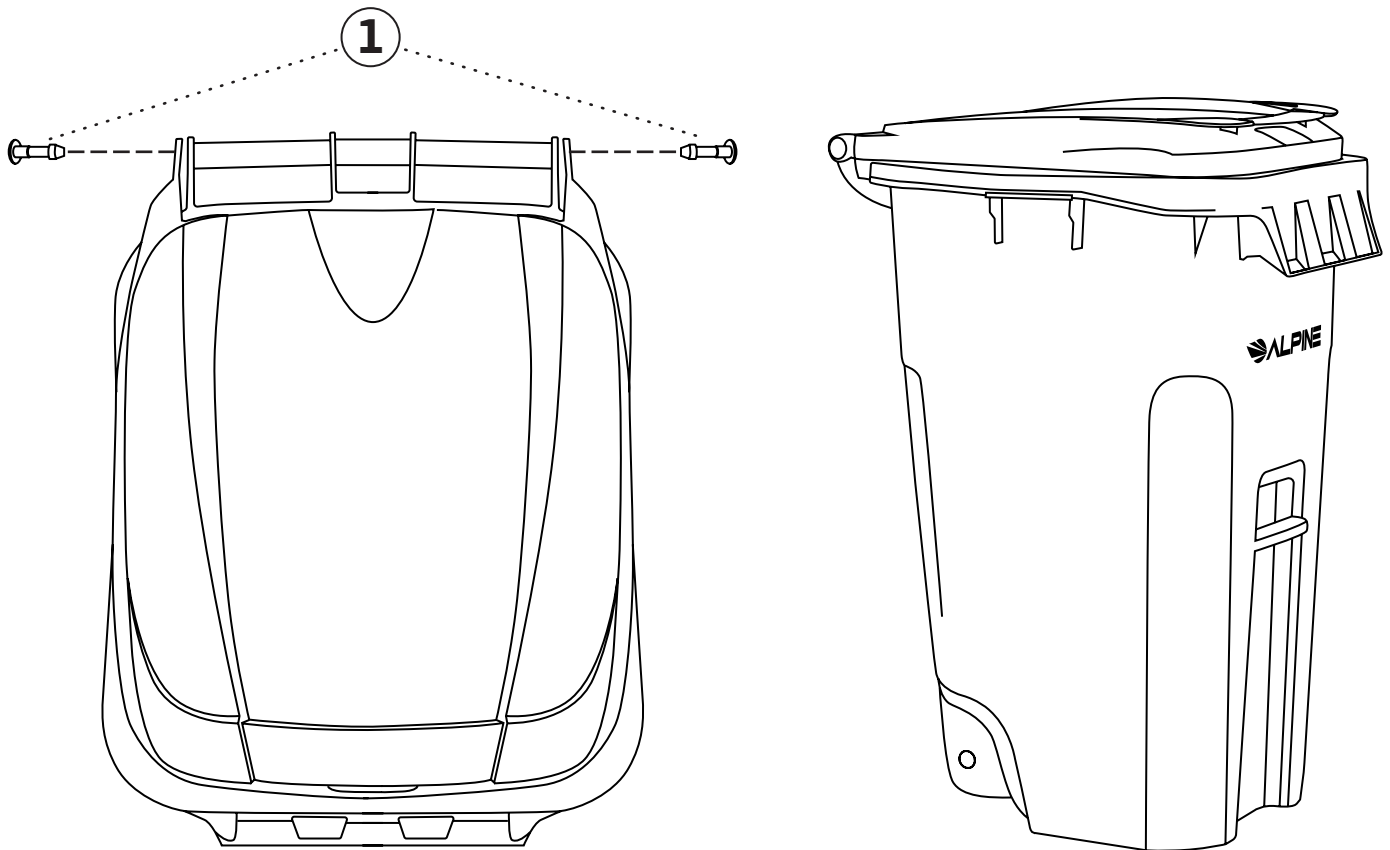
A. Lay the Lid (B) on top of the trash can and align both holes on the lid to both holes on the Trash Can (A).



## Step 2:

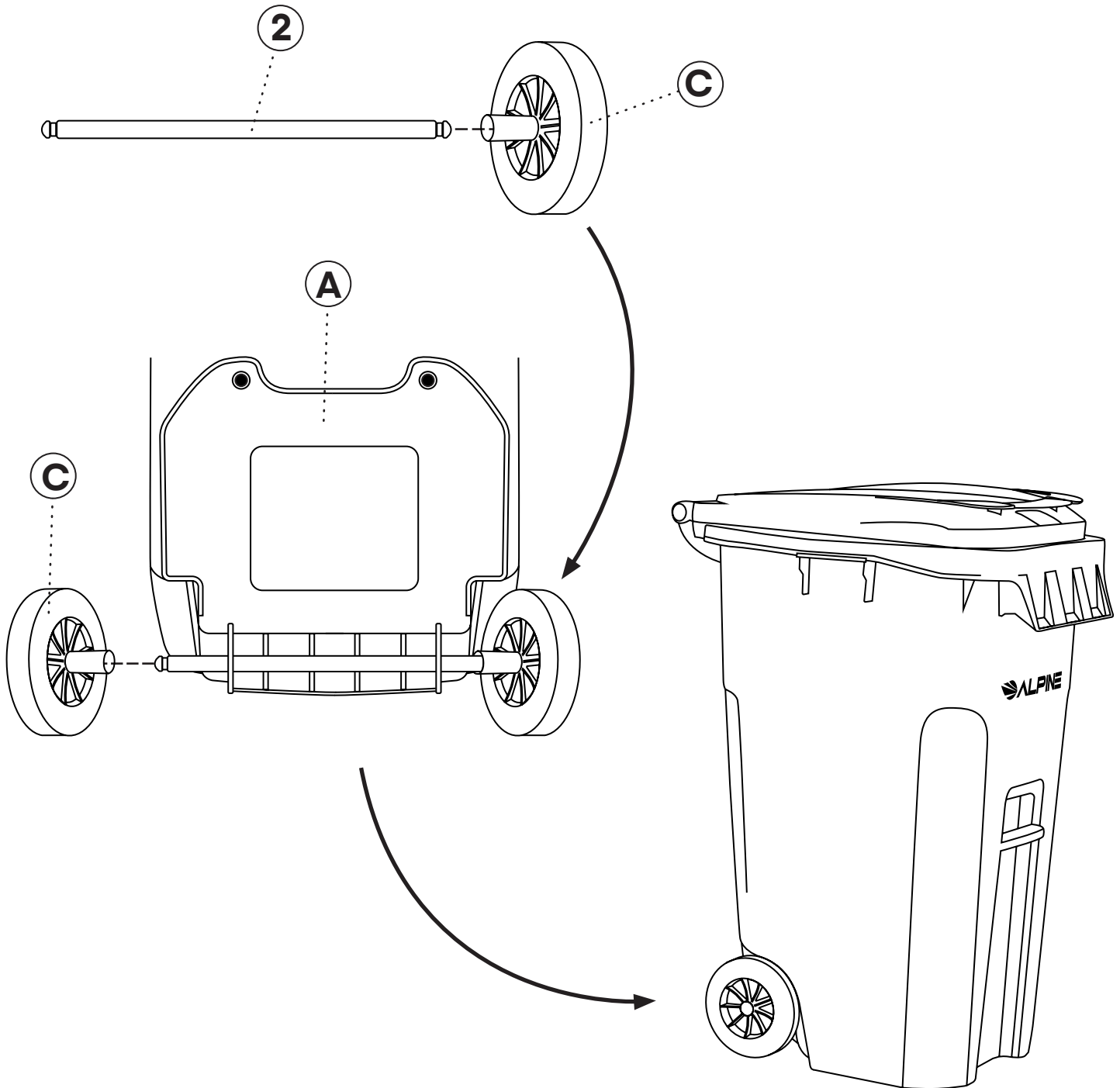
A. Insert the Pin (1) into both holes on the handle bar of the Trash Can (A).

B. Line the outer lock of the Pin (1) to the matching orientation on the handle bar.



**Step 3:**

- A.** Insert the Axle (2) into one of the Wheel's (C) and thread it fully until you hear the Wheel (C) click into place.
- B.** Insert the Axle (2) through the bottom of the Trash Can (A).
- C.** Insert the second Wheel (C) onto the Axle (2) until it clicks into place.
- D.** Your 64 Gallon Square Waste Container is ready for use.



# Cleaning Instructions

## **Step 1: Clear Debris:**

**A.** Begin by removing any large debris from both the inside and outside of the trash can.

## **Step 2: Prepre Cleaning Solution:**

**A.** Spray the trash can with water to loosen any stuck-on dirt.

**B.** In a spray bottle, mix 1 tablespoon of dish soap with warm water.

## **Step 3: Clean The Trash Can:**

**A.** Generously spray the inside and outside of the trash can with the soapy water mixture.

**B.** If necessary, lightly scrub any stubborn areas to remove dirt and grime.

## **Step 4: Rinse and Dry:**

**A.** Hose down the entire trash can, ensuring all soap residue is washed away.

**B.** Allow the trash can to air dry thoroughly before closing the lid.



# Warranty

1. Alpine (the "Company" or "Tiger Companies") warrants to the purchaser that the product will be free from defects in workmanship and materials for a period of 1 year from the date of purchase. The warranty period is not extended if we repair, replace, exchange, or provide a refund for the product (as determined in our sole discretion). We may change the availability of this limited warranty at our discretion, but any changes will not be retroactive.
2. These warranties are not assignable or transferable to any other person, including, without limitation, any subsequent owner or other transferee of the product.
3. This Warranty does not apply to: (a) damage caused by misuse, tampering, abuse, neglect, or accident; (b) damage caused by improper installation, modification, or service; (c) alteration of the serial number; or (d) use that violates the instructions furnished by the Company will void this warranty.
4. The sole responsibility of the Company shall be limited to (a) the repair or replacement (in its sole discretion) of any component of the product which fails to conform to this; (b) a refund the purchase price of such product (in its sole discretion), at no cost to the purchaser for the period of the warranty, or (c) an exchange for a similar product, comparable in function and price.
5. Contact the Company directly at 1-(800)-805-1790 to obtain service under this warranty. If it becomes applicable to send a defective product to the Company, a Return Authorization Number must first be obtained from the Company. In order to obtain service under this warranty, purchaser may be required to provide the Company with the following items (a) proof of purchase, (b) photographs and or videos (of the damage, and (c) a written testimonial describing the defect.
6. Products shipped without prior Return Authorization and Return Authorization Number may not be accepted, and the Company will not be responsible for their disposition and/or cost of return to the owner.
7. The Company will not assume any responsibility for any loss or damage incurred in shipping and or delivery.
8. The product(s) must be returned within 14 calendar days of receiving the return authorization from the Company and must include the original proof of purchase for the warranty to be honored.
9. Any implied warranties that the purchaser may have are limited to the duration of the warranties described above. There are no further warranties that extend or apply beyond the face hereof, and the Company expressly disclaims and excludes any and all warranties of merchantability or fitness for a particular purpose. Some states do not allow limitations on how long an implied warranty lasts, so the above limitation may not apply to you.
10. THE REMEDIES DESCRIBED ABOVE ARE YOUR SOLE AND EXCLUSIVE REMEDIES AND THE COMPANY'S ENTIRE LIABILITY FOR ANY BREACH OF THIS LIMITED WARRANTY. OUR LIABILITY SHALL UNDER NO CIRCUMSTANCES EXCEED THE ACTUAL AMOUNT PAID BY YOU FOR THE DEFECTIVE PRODUCT, NOR SHALL WE UNDER ANY CIRCUMSTANCES BE LIABLE FOR ANY CONSEQUENTIAL, INCIDENTAL, SPECIAL OR PUNITIVE DAMAGES OR LOSSES, WHETHER DIRECT OR INDIRECT. SOME STATES DO NOT ALLOW THE EXCLUSION OR LIMITATIONS OF INCIDENTAL OR CONSEQUENTIAL DAMAGES, SO THE LIMITATION MAY NOT APPLY TO YOU.
11. This warranty gives you specific legal rights, and you may also have additional rights which vary from state to state.



**ALP500-64-SERIES**

© 2024 Alpine Industries

**[alpineindustries.com](http://alpineindustries.com)**